



COMMERCIAL POWER

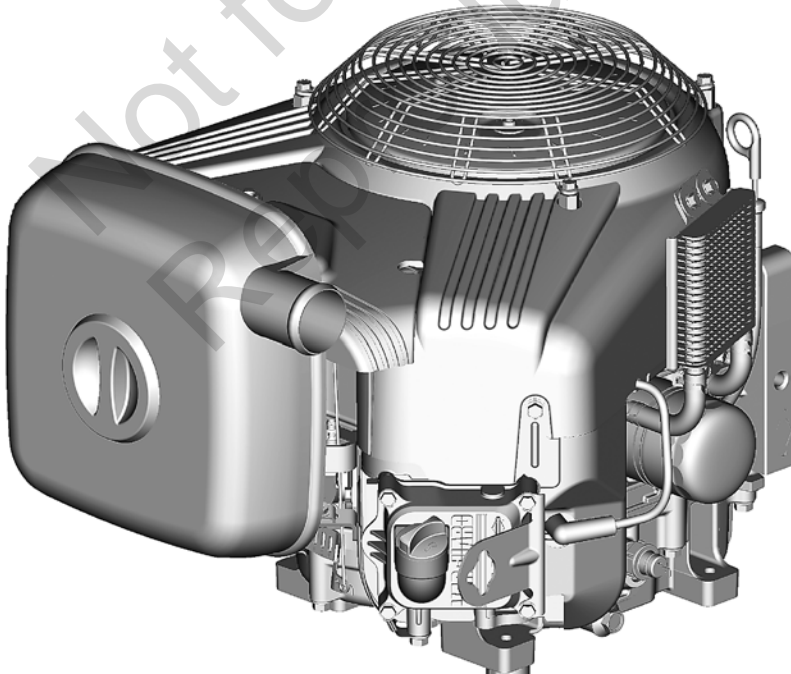
**en** *Operator's Manual*  
**es** *Manual del Operario*  
**fr** *Manuel de l'opérateur*

Model 613700

Vanguard™  
Gasoline

Model 61E900

Vanguard™ EFI  
Gasoline



Copyright © Briggs & Stratton Corporation,  
Milwaukee, WI, USA. All rights reserved.  
Briggs & Stratton is a registered trademark  
of Briggs & Stratton Corporation.



Form No. 80005374TRI  
Revision: D

English

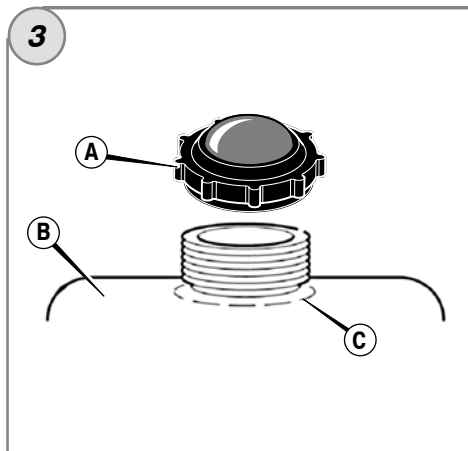
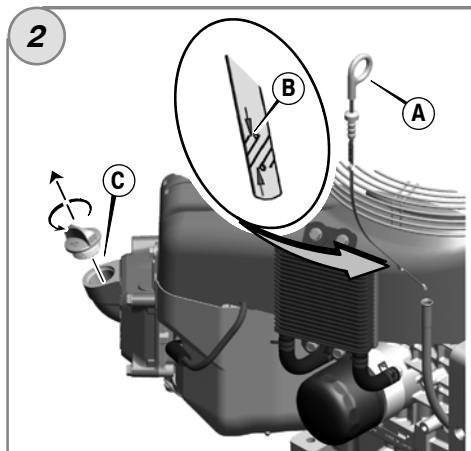
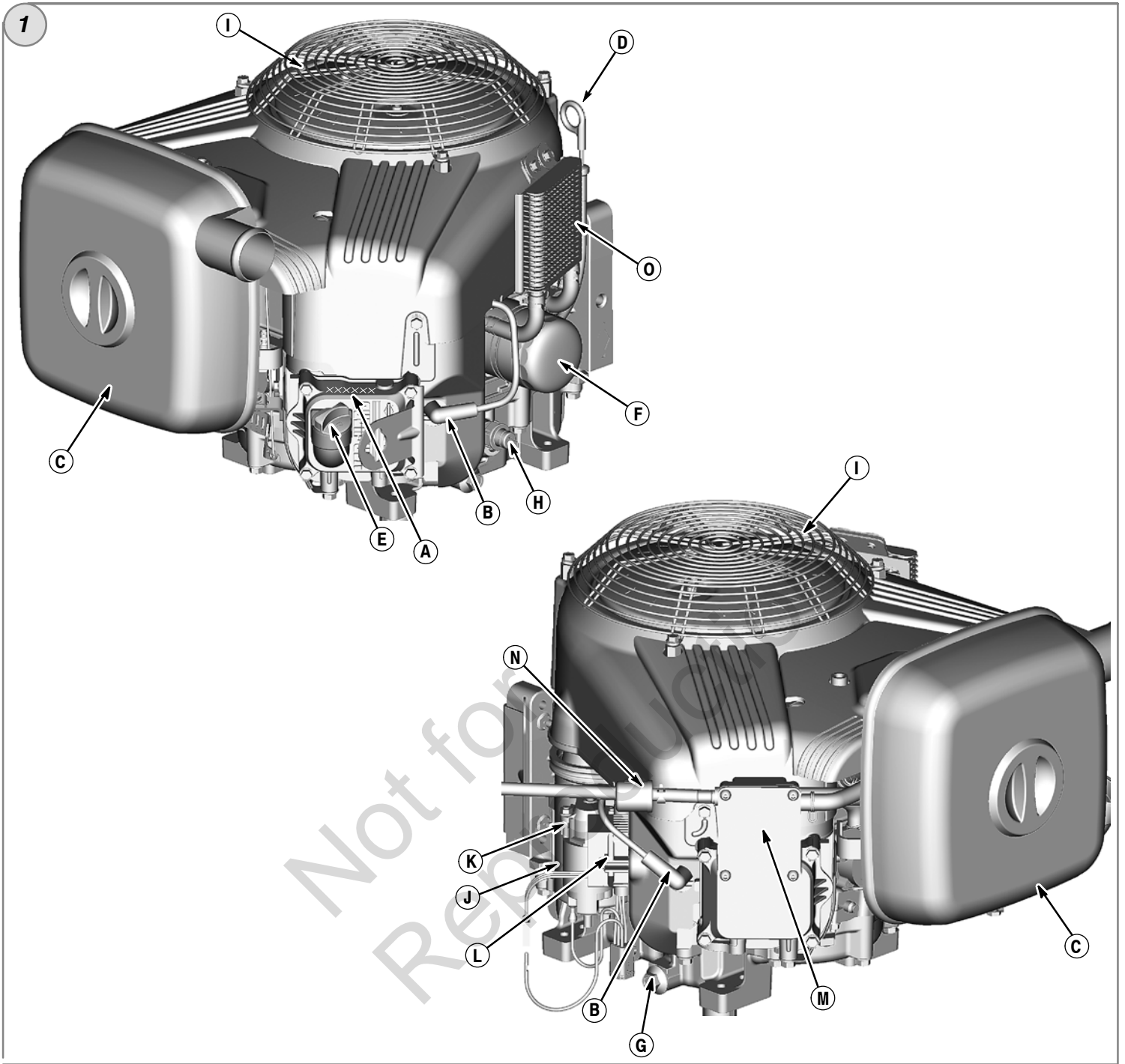
en

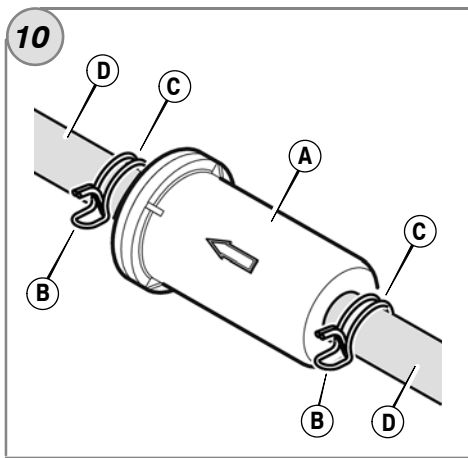
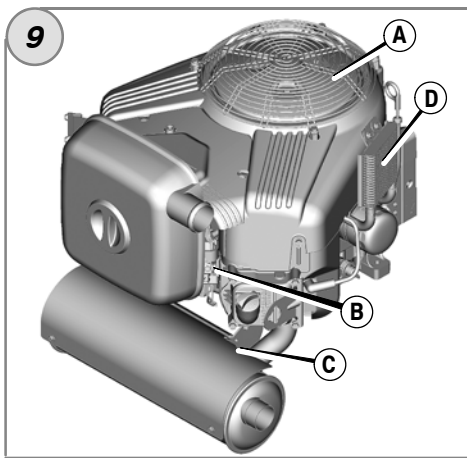
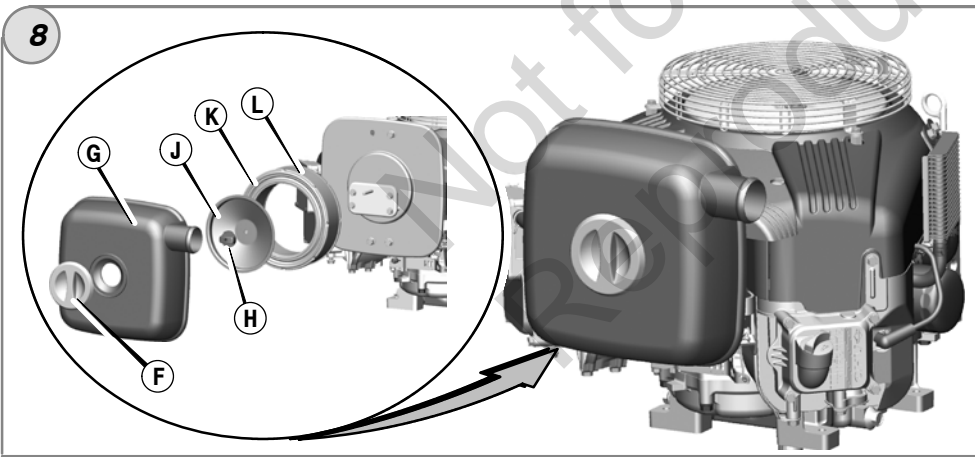
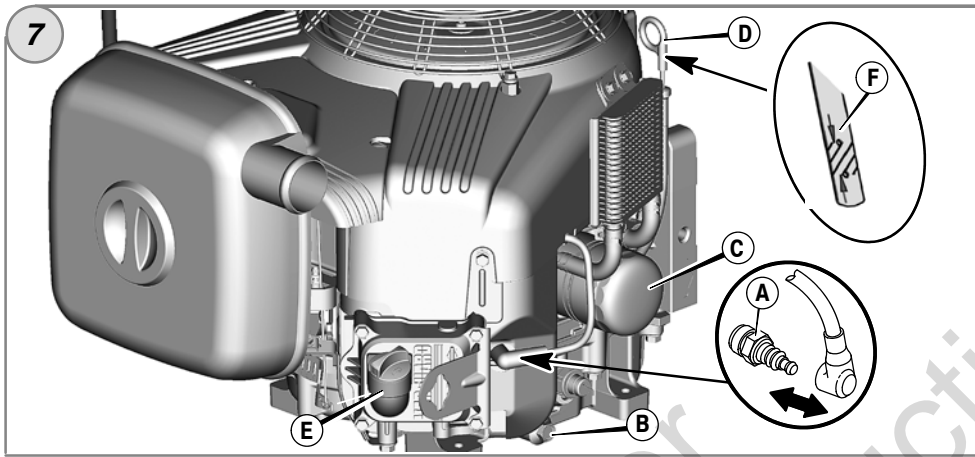
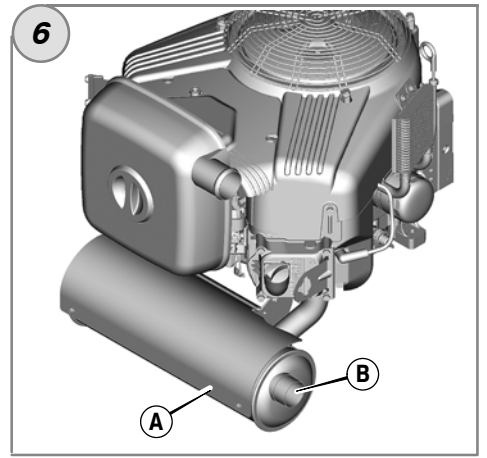
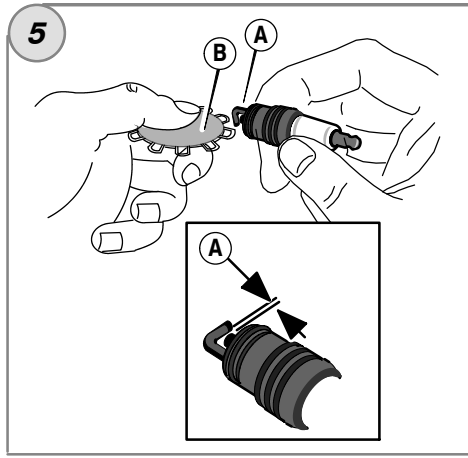
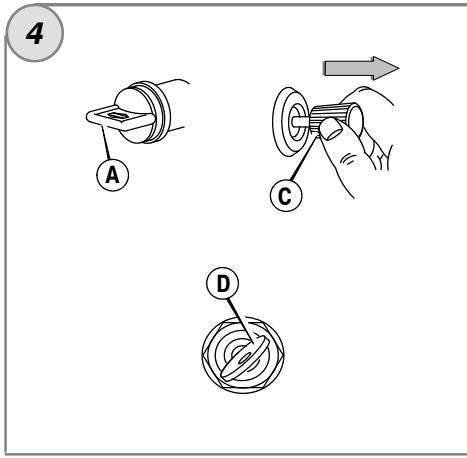
Español

es

Français

fr





## General Information

This manual contains safety information to make you aware of the hazards and risks associated with engines and how to avoid them. It also contains instructions for the proper use and care of the engine. Because Briggs & Stratton Corporation does not necessarily know what equipment this engine will power, it is important that you read and understand these instructions and the instructions for the equipment. **Save these original instructions for future reference.**

For replacement parts or technical assistance, record below the engine model, type, and code numbers along with the date of purchase. These numbers are located on your engine (see the **Features and Controls** page).

**Date of purchase:** \_\_\_\_\_  
MM/DD/YYYY

**Engine model:** \_\_\_\_\_  
Model:                      Type:                      Code:

Look for the 2D barcode located on some engines. When viewed with a 2D-capable device, the code will bring up our website where you can access support information for this product. Data rates apply. Some countries may not have online support information available.



**Power Ratings:** The gross power rating for individual gasoline engine models is labeled in accordance with SAE (Society of Automotive Engineers) code J1940 Small Engine Power & Torque Rating Procedure, and is rated in accordance with SAE J1995. Torque values are derived at 2600 RPM for those engines with "rpm" called out on the label and 3060 RPM for all others; horsepower values are derived at 3600 RPM. The gross power curves can be viewed at [www.BRIGGSandSTRATTON.COM](http://www.BRIGGSandSTRATTON.COM). Net power values are taken with exhaust and air cleaner installed whereas gross power values are collected without these attachments. Actual gross engine power will be higher than net engine power and is affected by, among other things, ambient operating conditions and engine-to-engine variability. Given the wide array of products on which engines are placed, the gasoline engine may not develop the rated gross power when used in a given piece of power equipment. This difference is due to a variety of factors including, but not limited to, the variety of engine components (air cleaner, exhaust, charging, cooling, carburetor, fuel pump, etc.), application limitations, ambient operating conditions (temperature, humidity, altitude), and engine-to-engine variability. Due to manufacturing and capacity limitations, Briggs & Stratton may substitute an engine of higher rated power for this engine.

## Operator Safety

### SAFETY AND CONTROL SYMBOLS



The safety alert symbol is used to identify safety information about hazards that can result in personal injury. A signal word (DANGER, WARNING, or CAUTION) is used with the alert symbol to indicate the likelihood and the potential severity of injury. In addition, a hazard symbol may be used to represent the type of hazard.

- DANGER** indicates a hazard which, if not avoided, **will result in death or serious injury.**
- WARNING** indicates a hazard which, if not avoided, **could result in death or serious injury.**
- CAUTION** indicates a hazard which, if not avoided, **could result in minor or moderate injury.**

**NOTICE** indicates a situation that **could result in damage to the product.**

**WARNING**  
Certain components in this product and its related accessories contain chemicals known to the State of California to cause cancer, birth defects, or other reproductive harm. Wash hands after handling.

**WARNING**  
The engine exhaust from this product contains chemicals known to the State of California to cause cancer, birth defects, or other reproductive harm.

**WARNING**  
Briggs & Stratton Engines are not designed for and are not to be used to power: fun-karts; go-karts; children's, recreational, or sport all-terrain vehicles (ATVs); motorbikes; hovercraft; aircraft products; or vehicles used in competitive events not sanctioned by Briggs & Stratton. For information about competitive racing products, see [www.briggsracing.com](http://www.briggsracing.com). For use with utility and side-by-side ATVs, please contact Briggs & Stratton Engine Application Center, 1-866-927-3349. Improper engine application may result in serious injury or death.

**NOTICE:** This engine was shipped from Briggs & Stratton without oil. Before you start the engine, make sure you add oil according to the instructions in this manual. If you start the engine without oil, it will be damaged beyond repair and will not be covered under warranty.



## WARNING



Fuel and its vapors are extremely flammable and explosive.  
Fire or explosion can cause severe burns or death.

### When Adding Fuel

- Turn engine off and let engine cool at least 2 minutes before removing the fuel cap.
- Fill fuel tank outdoors or in well-ventilated area.
- Do not overfill fuel tank. To allow for expansion of the fuel, do not fill above the bottom of the fuel tank neck.
- Keep fuel away from sparks, open flames, pilot lights, heat, and other ignition sources.
- Check fuel lines, tank, cap, and fittings frequently for cracks or leaks. Replace if necessary
- If fuel spills, wait until it evaporates before starting engine.

### When Starting Engine

- Ensure that spark plug, muffler, fuel cap and air cleaner (if equipped) are in place and secured.
- Do not crank engine with spark plug removed.
- If engine floods, set choke (if equipped) to OPEN/RUN position, move throttle (if equipped) to FAST position and crank until engine starts.

### When Operating Equipment

- Do not tip engine or equipment at angle which causes fuel to spill.
- Do not choke the carburetor to stop engine.
- Never start or run the engine with the air cleaner assembly (if equipped) or the air filter (if equipped) removed.

### When Changing Oil

- When you drain the oil from the top oil fill tube, the fuel tank must be empty or fuel can leak out and result in a fire or explosion.

### When Tipping Unit for Maintenance

- When performing maintenance that requires the unit to be tipped, the fuel tank must be empty or fuel can leak out and result in a fire or explosion.

### When Transporting Equipment

- Transport with fuel tank EMPTY or with fuel shut-off valve OFF.

### When Storing Fuel Or Equipment With Fuel In Tank

- Store away from furnaces, stoves, water heaters or other appliances that have pilot lights or other ignition sources because they can ignite fuel vapors.



## WARNING



Starting engine creates sparking.  
Sparking can ignite nearby flammable gases.  
Explosion and fire could result.

- If there is natural or LP gas leakage in area, do not start engine.
- Do not use pressurized starting fluids because vapors are flammable.



## WARNING



**POISONOUS GAS HAZARD.** Engine exhaust contains carbon monoxide, a poisonous gas that could kill you in minutes. You CANNOT see it, smell it, or taste it. Even if you do not smell exhaust fumes, you could still be exposed to carbon monoxide gas. If you start to feel sick, dizzy, or weak while using this product, shut it off and get to fresh air RIGHT AWAY. See a doctor. You may have carbon monoxide poisoning.

- Operate this product ONLY outside far away from windows, doors and vents to reduce the risk of carbon monoxide gas from accumulating and potentially being drawn towards occupied spaces.
- Install battery-operated carbon monoxide alarms or plug-in carbon monoxide alarms with battery back-up according to the manufacturer's instructions. Smoke alarms cannot detect carbon monoxide gas.
- DO NOT run this product inside homes, garages, basements, crawlspaces, sheds, or other partially-enclosed spaces even if using fans or opening doors and windows for ventilation. Carbon monoxide can quickly build up in these spaces and can linger for hours, even after this product has shut off.
- ALWAYS place this product downwind and point the engine exhaust away from occupied spaces.



## WARNING



Rapid retraction of starter cord (kickback) will pull hand and arm toward engine faster than you can let go.

Broken bones, fractures, bruises or sprains could result.

- When starting engine, pull the starter cord slowly until resistance is felt and then pull rapidly to avoid kickback.
- Remove all external equipment/engine loads before starting engine.
- Direct-coupled equipment components such as, but not limited to, blades, impellers, pulleys, sprockets, etc., must be securely attached.



## WARNING



Rotating parts can contact or entangle hands, feet, hair, clothing, or accessories.

Traumatic amputation or severe laceration can result.

- Operate equipment with guards in place.
- Keep hands and feet away from rotating parts.
- Tie up long hair and remove jewelry.
- Do not wear loose-fitting clothing, dangling drawstrings or items that could become caught.



## WARNING



Running engines produce heat. Engine parts, especially muffler, become extremely hot.

Severe thermal burns can occur on contact.



Combustible debris, such as leaves, grass, brush, etc. can catch fire.

- Allow muffler, engine cylinder and fins to cool before touching.
- Remove accumulated debris from muffler area and cylinder area.
- It is a violation of California Public Resource Code, Section 4442, to use or operate the engine on any forest-covered, brush-covered, or grass-covered land unless the exhaust system is equipped with a spark arrester, as defined in Section 4442, maintained in effective working order. Other states or federal jurisdictions may have similar laws. Contact the original equipment manufacturer, retailer, or dealer to obtain a spark arrester designed for the exhaust system installed on this engine.



## WARNING



Unintentional sparking can result in fire or electric shock.

Unintentional start-up can result in entanglement, traumatic amputation, or laceration.

Fire hazard



### Before performing adjustments or repairs:

- Disconnect the spark plug wire and keep it away from the spark plug.
- Disconnect battery at negative terminal (only engines with electric start.)
- Use only correct tools.
- Do not tamper with governor spring, links or other parts to increase engine speed.
- Replacement parts must be of the same design and installed in the same position as the original parts. Other parts may not perform as well, may damage the unit, and may result in injury.
- Do not strike the flywheel with a hammer or hard object because the flywheel may later shatter during operation.

### When testing for spark:

- Use approved spark plug tester.
- Do not check for spark with spark plug removed.

# Features and Controls

Compare the figure **1** with your engine to familiarize yourself with the location of various features and controls.

- A. Engine Identification  
**Model Type Code**
- B. Spark Plug
- C. Air Cleaner, Low Profile
- D. Dipstick
- E. Oil Fill
- F. Oil Filter
- G. Oil Drain Plug
- H. Oil Pressure Sensor
- I. Air Intake Grille
- J. Electric Starter
- K. Starter Solenoid
- L. Regulator/Rectifier
- M. Fuel Pump
- N. Fuel Filter (if equipped)
- O. Oil Cooler (if equipped)

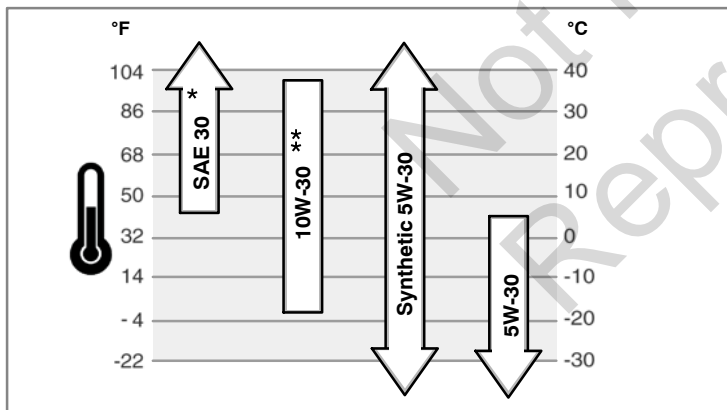
## Operation

Oil capacity (see the **Specifications** section)

### Oil Recommendations

We recommend the use of Briggs & Stratton Warranty Certified oils for best performance. Other high-quality detergent oils are acceptable if classified for service SF, SG, SH, SJ or higher. Do not use special additives.

Outdoor temperatures determine the proper oil viscosity for the engine. Use the chart to select the best viscosity for the outdoor temperature range expected.



\* Below 40°F (4°C) the use of SAE 30 will result in hard starting.

\*\* Above 80°F (27°C) the use of 10W-30 may cause increased oil consumption. Check oil level more frequently.

### How To Check/Add Oil - Figure 2

Before adding or checking the oil

- Place engine level.
  - Clean the oil fill area of any debris.
1. Remove the dipstick (A) and wipe with a clean cloth (Figure 2).
  2. Insert and tighten the dipstick.
  3. Remove the dipstick and check the oil level. It should be at the top of the full indicator (B) on the dipstick.
  4. If low, add oil slowly into the engine oil fill (C). **Do not overfill.** After adding oil, wait one minute and then recheck the oil level.
  5. Replace and tighten the dipstick.

### Low Oil Protection System (if equipped)

Some engines are equipped with a low oil sensor. If the oil is low, the sensor will either activate a warning light or stop the engine. Stop the engine and follow these steps before restarting the engine.

- Make sure the engine is level.
- Check the oil level. See the **How To Check/Add Oil** section.
- If the oil level is low, add the proper amount of oil. Start the engine and make sure the warning light (if equipped) is not activated.
- If the oil level is not low, **do not start** the engine. Contact an Authorized Briggs & Stratton Dealer to have the the oil problem corrected.

### Fuel Recommendations

Fuel must meet these requirements:

- Clean, fresh, unleaded gasoline.
- A minimum of 87 octane/87 AKI (91 RON). High altitude use, see below.
- Gasoline with up to 10% ethanol (gasohol) is acceptable.

**NOTICE:** Do not use unapproved gasolines, such as E15 and E85. Do not mix oil in gasoline or modify the engine to run on alternate fuels. Use of unapproved fuels will cause damage to engine components, which will not be covered under warranty.

To protect the fuel system from gum formation, mix a fuel stabilizer into the fuel. See **Storage**. All fuel is not the same. If starting or performance problems occur, change fuel providers or change brands. This engine is certified to operate on gasoline. The emissions control system for this engine is EM (Engine Modifications).

### High Altitude

At altitudes over 5,000 feet (1524 meters), a minimum 85 octane/85 AKI (89 RON) gasoline is acceptable.

For carbureted engines, high altitude adjustment is required to remain emissions compliant. Operation without this adjustment will cause decreased performance, increased fuel consumption, and increased emissions. Contact a Briggs & Stratton Authorized Service Dealer for high altitude adjustment information. Operation of the engine at altitudes below 2,500 feet (762 meters) with the high altitude adjustment is not recommended.

For Electronic Fuel Injection (EFI) engines, no high altitude adjustment is necessary.

### How To Add Fuel - Figure 3



#### WARNING



Fuel and its vapors are extremely flammable and explosive. Fire or explosion can cause severe burns or death.

#### When Adding Fuel

- Turn engine off and let engine cool at least 2 minutes before removing the fuel cap.
- Fill fuel tank outdoors or in well-ventilated area.
- Do not overfill fuel tank. To allow for expansion of the fuel, do not fill above the bottom of the fuel tank neck.
- Keep fuel away from sparks, open flames, pilot lights, heat, and other ignition sources.
- Check fuel lines, tank, cap, and fittings frequently for cracks or leaks. Replace if necessary
- If fuel spills, wait until it evaporates before starting engine.

1. Clean the fuel cap area of dirt and debris. Remove the fuel cap (A, Figure 3).
2. Fill the fuel tank (B) with fuel. To allow for expansion of the fuel, do not fill above the bottom of the fuel tank neck (C).
3. Reinstall the fuel cap.

### How To Start The Engine - Figure 4



#### WARNING



Fuel and its vapors are extremely flammable and explosive. Fire or explosion can cause severe burns or death.

#### When Starting Engine

- Ensure that spark plug, muffler, fuel cap and air cleaner (if equipped) are in place and secured.
- Do not crank engine with spark plug removed.
- If engine floods, set choke (if equipped) to OPEN/RUN position, move throttle (if equipped) to FAST position and crank until engine starts.



## WARNING



**POISONOUS GAS HAZARD.** Engine exhaust contains carbon monoxide, a poisonous gas that could kill you in minutes. You CANNOT smell it, or taste it. Even if you do not smell exhaust fumes, you could still be exposed to carbon monoxide gas. If you start to feel sick, dizzy, or weak while using this product, shut it off and get to fresh air RIGHT AWAY. See a doctor. You may have carbon monoxide poisoning.

- Operate this product ONLY outside far away from windows, doors and vents to reduce the risk of carbon monoxide gas from accumulating and potentially being drawn towards occupied spaces.
- Install battery-operated carbon monoxide alarms or plug-in carbon monoxide alarms with battery back-up according to the manufacturer's instructions. Smoke alarms cannot detect carbon monoxide gas.
- DO NOT run this product inside homes, garages, basements, crawlspaces, sheds, or other partially-enclosed spaces even if using fans or opening doors and windows for ventilation. Carbon monoxide can quickly build up in these spaces and can linger for hours, even after this product has shut off.
- ALWAYS place this product downwind and point the engine exhaust away from occupied spaces.

**NOTICE:** This engine was shipped from Briggs & Stratton without oil. Before you start the engine, make sure you add oil according to the instructions in this manual. If you start the engine without oil, it will be damaged beyond repair and will not be covered under warranty.

## Determine The Starting System

Before starting the engine, you must determine the type of starting system that is on your engine. Your engine will have one of the following types.

- **Electronic Fuel Injection (EFI) System:** This features Electronic Fuel Injection. It does not have a manual choke.
- **Choke System:** This features a choke to be used for starting in cool temperatures. Some models will have a separate choke control while others will have a combination choke/throttle control. This type does not have a primer.

To start your engine, follow the instructions for your type of starting system.

*Note:* Some engines and equipment have remote controls and safety devices. Before starting the engine, see the equipment manual for location and operation of these controls and devices.

## Electronic Fuel Injection (EFI) System - Figure 4



1. Check the oil level. See the *How To Check/Add Oil* section.
2. Make sure equipment drive controls, if equipped, are disengaged.
3. Move the throttle control to the slow position.


4. Turn the electric start switch (D, Figure 4) to the on/start position.

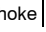
**NOTE:** If the engine does not start after repeated attempts, go to [VanguardEngines.com](http://VanguardEngines.com) or call 1-800-999-9333 (in USA).


**NOTICE:** To extend the life of the starter, use short starting cycles (five seconds maximum). Wait one minute between starting cycles.

## Choke System - Figure 4

1. Check the oil level. See the *How To Check/Add Oil* section.
2. Make sure equipment drive controls, if equipped, are disengaged.
3. Turn the fuel shut-off valve (A, Figure 4), if equipped, to the on position.
4. Move the throttle control to the fast  position. Operate the engine in the fast  position.


5. Move the choke control (C) to the choke  position.

*Note:* To start the engine with a dry fuel system (first time starting or after running out of fuel), additional cranking time in the choke  position will be required. This will give the fuel pump time to prime the fuel system.

6. Turn the electric start switch (D) to the on/start position (Figure 4).
7. If the engine fires but will not continue to run, move the choke control (C) to the run  position to start the engine.

**NOTICE:** To extend the life of the starter, use short starting cycles (five seconds maximum). Wait one minute between starting cycles.

*Note:* If the engine does not start after repeated attempts, go to [VanguardEngines.com](http://VanguardEngines.com) or call 1-800-999-9333 (in USA).

8. As the engine warms up, move the choke control (C) to the run  position.

## How To Stop The Engine - Figure 4



## WARNING

**Fuel and its vapors are extremely flammable and explosive. Fire or explosion can cause severe burns or death.**



- Do not choke the carburetor, if equipped, to stop engine.

1. Move the throttle control to the slow position, turn the key switch (D) to the off position (Figure 4). Remove the key and keep in a safe place out of the reach of children.
2. After the engine stops, turn the fuel shut-off valve (A), if equipped, to the closed position.

## Maintenance

We recommend that you see any Briggs & Stratton Authorized Dealer for all maintenance and service of the engine and engine parts.

**NOTICE:** All the components used to build this engine must remain in place for proper operation.



**WARNING:** When performing maintenance that requires the unit to be tipped, the fuel tank must be empty or fuel can leak out and result in a fire or explosion.

## Emissions Control

**Maintenance, replacement, or repair of the emissions control devices and systems may be performed by any off-road engine repair establishment or individual.**

However, to obtain "no charge" emissions control service, the work must be performed by a factory authorized dealer. See the Emissions Warranty.



## WARNING

**Unintentional sparking can result in fire or electric shock. Unintentional start-up can result in entanglement, traumatic amputation, or laceration.**



**Fire hazard**



### Before performing adjustments or repairs:

- Disconnect the spark plug wire and keep it away from the spark plug.
- Disconnect battery at negative terminal (only engines with electric start.)
- Use only correct tools.
- Do not tamper with governor spring, links or other parts to increase engine speed.
- Replacement parts must be of the same design and installed in the same position as the original parts. Other parts may not perform as well, may damage the unit, and may result in injury.
- Do not strike the flywheel with a hammer or hard object because the flywheel may later shatter during operation.

### When testing for spark:

- Use approved spark plug tester.
- Do not check for spark with spark plug removed.

## Maintenance Chart

Every 8 Hours or Daily
<ul style="list-style-type: none"><li>• Check engine oil level</li><li>• Clean area around muffler and controls</li></ul>
Every 100 Hours or Annually
<ul style="list-style-type: none"><li>• Clean or change air filter *</li><li>• Change engine oil and filter</li><li>• Clean pre-cleaner (if equipped) *</li><li>• Replace spark plug</li><li>• Check muffler and spark arrester</li></ul>
Every 250 Hours or Annually
<ul style="list-style-type: none"><li>• Check valve clearance. Adjust if necessary.</li></ul>
Every 400 Hours or Annually
<ul style="list-style-type: none"><li>• Change air filter</li><li>• Replace fuel filter</li><li>• Clean air cooling system *</li><li>• Clean oil cooler fins *</li></ul>
Every 600 Hours or Annually
<ul style="list-style-type: none"><li>• Change safety filter (if equipped)</li></ul>

\* In dusty conditions or when airborne debris is present, clean more often.

## Electronic Fuel Injection (EFI) System

The EFI System monitors engine temperature, engine speed, and battery voltage for engine starting and warm up. There are no adjustments on the system. If starting or operation problems occur, contact a Briggs & Stratton Authorized Service Dealer.

**NOTICE:** Make sure to follow the steps below or the EFI System could be damaged.

- Never start the engine if the battery cables are loose.
- Turn the key to the off position before disconnecting, removing and/or installing the battery.
- Never use a battery charger to start the engine.
- Never disconnect the battery cables while the engine is running.
- When connecting the battery cables, first connect the positive (+) cable and then connect the negative (-) cable to the battery.
- When charging the battery, turn the ignition switch to the off position and disconnect the negative (-) battery cable from the battery.
- Do not spray water directly on the Electronic Control Unit.

## Carburetor And Engine Speed Adjustment

Never make adjustments to the carburetor or engine speed. The carburetor was set at the factory to operate efficiently under most conditions. Do not tamper with the governor spring, linkages, or other parts to change the engine speed. If any adjustments are required contact a Briggs & Stratton Authorized Service Center for service.

**NOTICE:** The equipment manufacturer specifies the maximum speed for the engine as installed on the equipment. **Do not exceed** this speed. If you are unsure what the equipment maximum speed is, or what the engine speed is set to from the factory, contact a Briggs & Stratton Authorized Service Center for assistance. For safe and proper operation of the equipment, the engine speed should be adjusted only by a qualified service technician.

## How To Replace The Spark Plug - Figure 5

Check the gap (A, Figure 5) with a wire gauge (B). If necessary, reset the gap. Install and tighten the spark plug to the recommended torque. For gap setting or torque, see the **Specifications** section.

**Note:** In some areas, local law requires using a resistor spark plug to suppress ignition signals. If this engine was originally equipped with a resistor spark plug, use the same type for replacement.

## Inspect Muffler And Spark Arrester - Figure 6



### WARNING



**Running engines produce heat. Engine parts, especially muffler, become extremely hot.**



**Severe thermal burns can occur on contact.**

**Combustible debris, such as leaves, grass, brush, etc. can catch fire.**

- Allow muffler, engine cylinder and fins to cool before touching.
- Remove accumulated debris from muffler area and cylinder area.
- It is a violation of California Public Resource Code, Section 4442, to use or operate the engine on any forest-covered, brush-covered, or grass-covered land unless the exhaust system is equipped with a spark arrester, as defined in Section 4442, maintained in effective working order. Other states or federal jurisdictions may have similar laws. Contact the original equipment manufacturer, retailer, or dealer to obtain a spark arrester designed for the exhaust system installed on this engine.

Remove accumulated debris from muffler area and cylinder area. Inspect the muffler (A, Figure 6) for cracks, corrosion, or other damage. Remove the spark arrester (B), if equipped, and inspect for damage or carbon blockage. If damage is found, install replacement parts before operating.



**WARNING:** Replacement parts must be of the same design and installed in the same position as the original parts. Other parts may not perform as well, may damage the unit, and may result in injury.

## How To Change The Oil - Figure 7

Used oil is a hazardous waste product and must be disposed of properly. Do not discard with household waste. Check with your local authorities, service center, or dealer for safe disposal/recycling facilities.

### Remove Oil

1. With engine off but still warm, disconnect the spark plug wire (A) and keep it away from the spark plug (Figure 7).
2. Remove the oil drain plug (B). Drain the oil into an approved container.
3. After the oil has drained, install and tighten the oil drain plug.

### Change The Oil Filter

All models are equipped with an oil filter. For replacement intervals, see the **Maintenance** chart.

1. Drain the oil from the engine. See **Remove Oil** section.
2. Remove the oil filter (C, Figure 7) and dispose of properly.
3. Before installing the new oil filter, lightly lubricate the oil filter gasket with fresh, clean oil.
4. Install the oil filter by hand until the gasket contacts the oil filter adapter, then tighten the oil filter 1/2 to 3/4 turns.
5. Add oil. See **Add Oil** section.
6. Start and run the engine. As the engine warms up, check for oil leaks.
7. Stop the engine and check the oil level. It should be at the top of the full indicator (F) on the dipstick.

### Add Oil

- Place engine level.
  - Clean the oil fill area of any debris.
  - See the **Specifications** section for oil capacity.
1. Remove the dipstick (D, Figure 7) and wipe with a clean cloth.
  2. Pour the oil slowly into the engine oil fill (E). **Do not overfill.** After adding oil, wait one minute and then check the oil level.
  3. Install and tighten the dipstick.
  4. Remove the dipstick and check the oil level. It should be at the top of the full indicator (F) on the dipstick.
  5. Install and tighten the dipstick.

## How To Service The Air Filter - Figure 8



### WARNING



**Fuel and its vapors are extremely flammable and explosive.**



**Fire or explosion can cause severe burns or death.**

- Never start or run the engine with the air cleaner assembly (if equipped) or the air filter (if equipped) removed.



**NOTICE:** Do not use pressurized air or solvents to clean the filter. Pressurized air can damage the filter and solvents will dissolve the filter.

See the **Maintenance Chart** for service requirements.

#### Low-Profile Air Filter System

1. Remove the knob (F) and the cover (G). See Figure 8.
2. Remove the nut (H) and the retainer (J).
3. Remove the air filter (K).
4. Remove the pre-cleaner (L), if equipped, from the air filter.
5. To loosen debris, gently tap the air filter on a hard surface. If the air filter is excessively dirty, replace with a new air filter.
6. Wash the pre-cleaner in liquid detergent and water. Then allow it to thoroughly air dry. **Do not** oil the pre-cleaner.
7. Assemble the dry pre-cleaner to the air filter.
8. Install the air filter and secure with retainer and nut.
9. Install the cover and secure with knob.

### How To Clean The Air Cooling System - Figure 9



#### WARNING



Running engines produce heat. Engine parts, especially muffler, become extremely hot.



Severe thermal burns can occur on contact.

Combustible debris, such as leaves, grass, brush, etc. can catch fire.

- Allow muffler, engine cylinder and fins to cool before touching.
- Remove accumulated debris from muffler area and cylinder area.

**NOTICE:** Do not use water to clean the engine. Water could contaminate the fuel system. Use a brush or dry cloth to clean the engine.

This is an air cooled engine. Dirt or debris can restrict air flow and cause the engine to overheat, resulting in poor performance and reduced engine life.

Use a brush or dry cloth to remove debris from the air intake grille (A, Figure 9). Keep linkage, springs and controls (B) clean. Keep the area around and behind the muffler (C) free of any combustible debris. Make sure that the oil cooler fins (D) are free of dirt and debris.

### How To Replace The Fuel Filter - Figure 10



#### WARNING



Fuel and its vapors are extremely flammable and explosive.



Fire or explosion can cause severe burns or death.

- Keep fuel away from sparks, open flames, pilot lights, heat, and other ignition sources.
- Check fuel lines, tank, cap, and fittings frequently for cracks or leaks. Replace if necessary.
- Before replacing the fuel filter, drain the fuel tank or close the fuel shut-off valve.
- Replacement parts must be the same and installed in the same position as the original parts.
- If fuel spills, wait until it evaporates before starting engine.

1. Before replacing the fuel filter (A, Figure 10), if equipped, drain the fuel tank or close the fuel shut-off valve. Otherwise, fuel can leak out and cause a fire or explosion.
2. Use pliers to squeeze tabs (B) on the clamps (C), then slide the clamps away from the fuel filter. Twist and pull the fuel lines (D) off of the fuel filter.
3. Check the fuel lines for cracks or leaks. Replace if necessary.
4. Replace the fuel filter with an original equipment replacement filter.
5. Secure the fuel lines with the clamps as shown.

#### Storage



#### WARNING



Fuel and its vapors are extremely flammable and explosive.



Fire or explosion can cause severe burns or death.

#### When Storing Fuel Or Equipment With Fuel In Tank

- Store away from furnaces, stoves, water heaters or other appliances that have pilot lights or other ignition sources because they can ignite fuel vapors.

#### Fuel System

Fuel can become stale when stored over 30 days. Stale fuel causes acid and gum deposits to form in the fuel system or on essential carburetor parts. To keep fuel fresh,

use **Briggs & Stratton Advanced Formula Fuel Treatment & Stabilizer**, available wherever Briggs & Stratton genuine service parts are sold.

There is no need to drain gasoline from the engine if a fuel stabilizer is added according to instructions. Run the engine for 2 minutes to circulate the stabilizer throughout the fuel system before storage.

If gasoline in the engine has not been treated with a fuel stabilizer, it must be drained into an approved container. Run the engine until it stops from lack of fuel. The use of a fuel stabilizer in the storage container is recommended to maintain freshness.

#### Engine Oil

While the engine is still warm, change the engine oil.

#### Troubleshooting

Need Assistance? Go to [VanguardEngines.com](http://VanguardEngines.com) or call 1-800-999-9333 (in USA).

## Specifications

#### Engine Specifications

Model	613700, 61E900
Displacement	60.60 ci (993 cc)
Bore	3.366 in (85.5 mm)
Stroke	3.406 in (77.21 mm)
Oil Capacity	78 - 80 oz (2.3 - 2.4 L)

#### Tune-up Specifications \*

Model	613700, 61E900
Spark Plug Gap	0.030 in (0.76 mm)
Spark Plug Torque	180 lb-in (20 Nm)
Armature Air Gap- Carburetor Models	0.005 - 0.008 in (0.13 - 0.20 mm)
Intake Valve Clearance	0.004 - 0.006 in (0.10 - 0.15 mm)
Exhaust Valve Clearance	0.007 - 0.009 in (0.18 - 0.23 mm)

\* Engine power will decrease 3.5% for each 1,000 feet (300 meters) above sea level and 1% for each 10° F (5.6° C) above 77° F (25° C). The engine will operate satisfactorily at an angle up to 15°. Refer to the equipment operator's manual for safe allowable operating limits on slopes.

#### Common Service Parts

Service Part	Part Number
Air Filter, Low-Profile	692519
Pre-Cleaner, Low-Profile	692520
Oil - SAE 30	100028
Oil Filter	842921
Fuel Filter	845125
Advanced Formula Fuel Treatment & Stabilizer	5442
Resistor Spark Plug	491055
Long Life Platinum Spark Plug	5066
Spark Plug Wrench	19374
Spark Tester	19368

✓ We recommend that you see any Briggs & Stratton Authorized Dealer for all maintenance and service of the engine and engine parts.

**LIMITED WARRANTY**

Briggs & Stratton warrants that, during the warranty period specified below, it will repair or replace, free of charge, any part that is defective in material or workmanship or both. Transportation charges on product submitted for repair or replacement under this warranty must be borne by purchaser. This warranty is effective for and is subject to the time periods and conditions stated below. For warranty service, find the nearest Authorized Service Dealer in our dealer locator map at BRIGGSandSTRATTON.COM. The purchaser must contact the Authorized Service Dealer, and then make the product available to the Authorized Service Dealer for inspection and testing.

**There is no other express warranty. Implied warranties, including those of merchantability and fitness for a particular purpose, are limited to the warranty period listed below, or to the extent permitted by law. Liability for incidental or consequential damages are excluded to the extent exclusion is permitted by law.** Some states or countries do not allow limitations on how long an implied warranty lasts, and some states or countries do not allow the exclusion or limitation of incidental or consequential damages, so the above limitation and exclusion may not apply to you. This warranty gives you specific legal rights and you may also have other rights which vary from state to state and country to country. \*\*

**STANDARD WARRANTY TERMS \* ▲**

Brand/Product Type	Consumer Use	Commercial Use
Vanguard™ ■	3 years	3 years
Commercial Turf Series™	2 years	2 years
Engines Featuring Dura-Bore™ Cast Iron Sleeve	2 years	1 year
All Other Briggs & Stratton Engines	2 years	90 days

- \* These are our standard warranty terms, but occasionally there may be additional warranty coverage that was not determined at time of publication. For a listing of current warranty terms for your engine, go to BRIGGSandSTRATTON.COM or contact your Briggs & Stratton Authorized Service Dealer.
- \*\* In Australia - Our goods come with guarantees that cannot be excluded under the Australian Consumer Law. You are entitled to a replacement or refund for a major failure and for compensation for any other reasonably foreseeable loss or damage. You are also entitled to have the goods repaired or replaced if the goods fail to be of acceptable quality and the failure does not amount to a major failure. For warranty service, find the nearest Authorized Service Dealer in our dealer locator map at BRIGGSandSTRATTON.COM, or by calling 1300 274 447, or by emailing or writing to salesenquiries@briggsandstratton.com.au, Briggs & Stratton Australia Pty Ltd, 1 Moorebank Avenue, Moorebank, NSW, Australia, 2170.
- ▲ There is no warranty for engines on equipment used for prime power in place of a utility or for standby generators used for commercial purposes. Engines used in competitive racing or on commercial or rental tracks are not warranted.
- Vanguard installed on standby generators: 2 years consumer use, no warranty commercial use. Vanguard installed on utility vehicles: 2 years consumer use, 2 years commercial use. Vanguard 3-cylinder liquid cooled: see Briggs & Stratton 3/LC Engine Warranty Policy.

The warranty period begins on the date of purchase by the first retail or commercial consumer. "Consumer use" means personal residential household use by a retail consumer. "Commercial use" means all other uses, including use for commercial, income producing or rental purposes. Once an engine has experienced commercial use, it shall thereafter be considered as a commercial use engine for purposes of this warranty.

**Save your proof of purchase receipt. If you do not provide proof of the initial purchase date at the time warranty service is requested, the manufacturing date of the product will be used to determine the warranty period. Product registration is not required to obtain warranty service on Briggs & Stratton products.**

**About Your Warranty**

This limited warranty covers engine-related material and/or workmanship issues only, and not replacement or refund of the equipment to which the engine may be mounted. Routine maintenance, tune-ups, adjustments, or normal wear and tear are not covered under this warranty. Similarly, warranty is not applicable if the engine has been altered or modified or if the engine serial number has been defaced or removed. This warranty does not include used, reconditioned, second-hand, or demonstration equipment or engines. This warranty does not cover engine damage or performance problems caused by:

- 1 The use of parts that are not original Briggs & Stratton parts;
- 2 Operating the engine with insufficient, contaminated, or an incorrect grade of lubricating oil;
- 3 The use of contaminated or stale fuel, gasoline formulated with ethanol greater than 10%, or the use of alternative fuels such as liquefied petroleum or natural gas on engines not originally designed/manufactured by Briggs & Stratton to operate on such fuels;
- 4 Dirt which entered the engine because of improper air cleaner maintenance or re-assembly;

- 5 Striking an object with the cutter blade of a rotary lawn mower, loose or improperly installed blade adapters, impellers, or other crankshaft coupled devices, or excessive v-belt tightness;
- 6 Associated parts or assemblies such as clutches, transmissions, equipment controls, etc., which are not supplied by Briggs & Stratton;
- 7 Overheating due to grass clippings, dirt and debris, or rodent nests which plug or clog the cooling fins or flywheel area, or by operating the engine without sufficient ventilation;
- 8 Excessive vibration due to over-speeding, loose engine mounting, loose or unbalanced cutter blades or impellers, or improper coupling of equipment components to the crankshaft;
- 9 Misuse, lack of routine maintenance, shipping, handling, or warehousing of equipment, or improper engine installation.

**Warranty service is available only through Briggs & Stratton Authorized Service Dealers. Locate your nearest Authorized Service Dealer in our dealer locator map at BRIGGSandSTRATTON.COM or by calling 1-800-233-3723 (in USA).**

## U.S. EPA and Briggs & Stratton Corporation Emissions Control Warranty Statement Your Warranty Rights And Obligations

U.S. EPA and Briggs & Stratton (B&S) are pleased to explain the emissions control system warranty on your Model Year 2015–2017 engine/equipment. B&S must warrant the emissions control system on your engine/equipment for the periods of time listed below provided there has been no abuse, neglect, or improper maintenance of your engine/equipment.

Your exhaust emissions control system may include parts such as the carburetor or fuel injection system, ignition system, and catalytic converter. Also included may be hoses, belts, connectors, sensors, and other emissions-related assemblies. Your evaporative emission control system may include parts such as: carburetors, fuel tanks, fuel lines, fuel caps, valves, canisters, filters, vapor hoses, clamps, connectors, and other associated components.

Where a warrantable condition exists, B&S will repair your engine/equipment at no cost to you including diagnosis, parts, and labor.

### Manufacturer's Warranty Coverage:

Marine engines are warranted for five (5) years or 175 hours, whichever occurs first. If any emissions-related part on your engine/equipment is defective, the part will be repaired or replaced by B&S.

### Owner's Warranty Responsibilities:

- As the engine/equipment owner, you are responsible for the performance of the required maintenance listed in your Operator's Manual. B&S recommends that you retain all receipts covering maintenance on your engine/equipment, but B&S cannot deny warranty solely for the lack of receipts or your failure to ensure the performance of all scheduled maintenance.
- As the engine/equipment owner, you should however be aware that B&S may deny you warranty coverage if your engine/equipment or a part has failed due to abuse, neglect, improper maintenance, or unapproved modifications.
- You are responsible for presenting your engine/equipment to a B&S distribution center, servicing dealer, or other equivalent entity, as applicable, as soon as a problem exists. The warranty repairs should be completed in a reasonable amount of time, not to exceed 30 days. If you have any questions regarding your warranty rights and responsibilities, you should contact B&S at 1-800-444-7774 (in USA) or BRIGGSandSTRATTON.COM.

## Briggs & Stratton Emissions Control Warranty Provisions

The following are specific provisions relative to your Emissions Control Warranty Coverage. It is in addition to the B&S engine warranty for non-regulated engines found in the Operator's Manual.

### 1. Warranted Emissions Parts

Coverage under this warranty extends only to the parts listed below (the emissions control systems parts) to the extent these parts were present on the B&S engine and/or B&S supplied fuel system.

- Fuel Metering System**
  - Cold start enrichment system (soft choke)
  - Carburetor or fuel injection system
  - Oxygen sensor
  - Electronic control unit
  - Fuel pump module
  - Fuel line, fuel line fittings, clamps
  - Fuel tank, cap and tether
  - Carbon canister
- Air Induction System**
  - Air cleaner
  - Intake manifold
  - Purge and vent line
- Ignition System**
  - Spark plug(s)
  - Magneto ignition system
- Catalyst System**
  - Catalytic converter
  - Exhaust manifold
  - Air injection system or pulse valve
- Miscellaneous Items Used in Above Systems**
  - Vacuum, temperature, position, time sensitive valves and switches
  - Connectors and assemblies

### 2. Length of Coverage

For a period of five (5) years from date of original purchase, or 175 hours, whichever occurs first, B&S warrants to the original purchaser and each subsequent purchaser that the engine is designed, built, and equipped so as to conform with all applicable regulations; that it is free from defects in material and workmanship that could cause the failure of a warranted part; and that it is identical in all material respects to the engine described in the manufacturer's application for certification. The warranty period begins on the date the engine is originally purchased.

The warranty on emissions-related parts is as follows:

- Any warranted part that is not scheduled for replacement as required maintenance in the Operator's Manual supplied, is warranted for the warranty period stated above. If any such part fails during the period of warranty coverage, the part will be repaired or replaced by B&S at no charge to the owner. Any such part repaired or replaced under the warranty will be warranted for the remaining warranty period.
  - Any warranted part that is scheduled only for regular inspection in the Operator's Manual supplied, is warranted for the warranty period stated above. Any such part repaired or replaced under warranty will be warranted for the remaining warranty period.
  - Any warranted part that is scheduled for replacement as required maintenance in the Operator's Manual supplied, is warranted for the period of time prior to the first scheduled replacement point for that part. If the part fails prior to the first scheduled replacement, the part will be repaired or replaced by B&S at no charge to the owner. Any such part repaired or replaced under warranty will be warranted for the remainder of the period prior to the first scheduled replacement point for the part.
  - The use of any non exempted add-on or modified parts by the owner will be grounds for disallowing a warranty claim. The manufacturer will not be liable to warrant failures of warranted parts caused by the use of a non exempted add-on or modified part.
- 3. Consequential Coverage**

Coverage shall extend to the failure of any engine components caused by the failure of any warranted emissions parts.
  - 4. Claims and Coverage Exclusions**

Warranty claims shall be filed according to the provisions of the B&S engine warranty policy. Warranty coverage does not apply to failures of emissions parts that are not original equipment B&S parts or to parts that fail due to abuse, neglect, or improper maintenance as set forth in the B&S engine warranty policy. B&S is not liable for warranty coverage of failures of emissions parts caused by the use of add-on or modified parts.

## Información General

Este manual contiene información de seguridad para que usted tome conciencia de los peligros y riesgos asociados con los motores, y cómo evitarlos. También contiene instrucciones para el uso y cuidado apropiados del motor. Ya que Briggs & Stratton Corporation no conoce necesariamente cuál equipo impulsará este motor, es importante que usted lea y entienda estas instrucciones y las instrucciones del equipo. **Guarde estas instrucciones para consultarlas en el futuro.**

Para conseguir repuestos o asistencia técnica registre los números de modelo, tipo y código de su motor junto con la fecha de compra. Estos números los encuentra localizados en su motor (consulte la página de **Características y Controles**).

**Fecha de compra:** \_\_\_\_\_  
MES/DIA/AÑO

**Modelo del motor:** \_\_\_\_\_  
Modelo: Tipo: Código:

Busque el código de barras en 2D colocado sobre algunos motores. Cuando se ve con un dispositivo con capacidad 2D, el código abrirá nuestro sitio Web donde usted puede acceder a información de soporte para este producto. Aplican tarifas de datos. Algunos países pueden no tener información de soporte disponible en línea.





**Clasificaciones de potencia:** La clasificación de potencia total para los modelos individuales de motores a gas se etiqueta de acuerdo con el código J1940 de SAE (Sociedad de Ingenieros Automotrices) (Procedimiento de Clasificación de Potencia & Torque del Motor Pequeño) y la clasificación de desempeño se ha obtenido y se ha corregido de acuerdo con SAE J1995. Los valores de torsión se derivan a 2600 RPM para aquellos motores con "rpm" mencionadas en la etiquetay 3060 PRM para todos los demás; los valores de potencia se derivan a 3600 RPM. Las curvas de potencia bruta se puede ver en [www.BRIGGSandSTRATTON.COM](http://www.BRIGGSandSTRATTON.COM). Los valores netos de potencia se toman con escape y filtro de aire instalado mientras que los valores de potencia total se recogen sin estos accesorios. La potencia total real del motor puede ser mayor que la potencia neta del motor y estar afectada por, entre otras cosas, condiciones ambientales de operación y variabilidad de motor a motor. Dado el amplio conjunto de productos en los cuales son puestos los motores, el motor a gas podría no desarrollar la potencia total nominal cuando sea usado en una parte dada del equipo acoplado. Esta diferencia se debe a una variedad de factores que incluyen, sin limitarse a, la variedad de componentes del motor (filtro de aire, sistema de escape, sistema de carga, sistema de enfriamiento, carburador, bomba de combustible, etc.), limitaciones de la aplicación, condiciones ambientales de operación (temperatura, humedad, altitud), y a la variabilidad de motor a motor. Debido a las limitaciones de fabricación y capacidad Briggs & Stratton puede sustituir este motor por un motor de potencia nominal más alta.


## Seguridad del Operario


### SÍMBOLOS DE SEGURIDAD Y CONTROL



El símbolo de aviso de seguridad  se utiliza para identificar la información de seguridad relacionada con los peligros que pueden ocasionar lesiones personales. Se señaliza con una palabra (PELIGRO, ADVERTENCIA o PRECAUCIÓN) con el símbolo de aviso para indicar la probabilidad de una lesión y su gravedad potencial. Además, un símbolo de peligro puede ser utilizado para representar el tipo de peligro.

 **PELIGRO** indica un peligro que si no es evitado, **ocasionará la muerte o heridas graves.**

 **ADVERTENCIA** indica un peligro que si no es evitado, **podría ocasionar la muerte o heridas graves.**

 **PRECAUCIÓN** indica un peligro que, si no es evitado, **podría ocasionar lesiones menores o moderadas.**

**NOTIFICACIÓN** indica una situación que **podría ocasionar daños al producto.**

### ADVERTENCIA

Ciertos componentes en este producto y sus accesorios relacionados contienen químicos que el Estado de California considera que ocasionan cáncer, defectos congénitos y otros daños en el aparato reproductivo. Lávese las manos después de manejarlos.

### ADVERTENCIA

La descarga de escape que expela este motor por este producto contiene químicos conocidos para el Estado de California que pueden ocasionar cáncer, defectos de nacimiento u otros daños que pueden ser perjudiciales para la reproducción.

### ADVERTENCIA

Los motores Briggs & Stratton no están diseñados ni deben ser utilizados para impulsar karts para diversión/recreo, vehículos para niños, recreacionales o vehículos deportivos todo terreno (ATVs), bicicletas motorizadas, aerodeslizadores, productos para aviación o vehículos para uso en eventos competitivos no autorizados por Briggs & Stratton. Para información acerca de productos para carreras de competencia refiérase a [www.briggsracing.com](http://www.briggsracing.com). Para la utilización con ATVs utilitarios y "lado a lado," por favor póngase en contacto con Briggs & Stratton Engine Application Center, 1-866-927-3349. La aplicación inadecuada del motor puede tener como resultado lesiones graves o incluso la muerte.

**NOTIFICACIÓN:** Este motor fue despachado de Briggs & Stratton sin aceite. Antes de darle arranque al motor, asegúrese de agregar aceite de acuerdo con las instrucciones de este manual. Si da arranque al motor sin que éste tenga aceite, se dañará hasta tal punto que no podrá ser reparado y no será cubierto por la garantía.



## ADVERTENCIA



**El combustible y sus vapores son extremadamente inflamables y explosivos.**



**Un incendio o una explosión pueden causar graves quemaduras o la muerte.**

### Quando Aprovechone con Combustible

- Apague el motor y deje que el motor se enfríe por lo menos 2 minutos antes de remover la tapa de combustible.
- Llene el tanque de combustible en exteriores o en un área bien ventilada.
- No llene demasiado el tanque de combustible. Para permitir la expansión del combustible no llene por encima de la parte inferior del cuello del tanque de combustible
- Mantenga el combustible a distancia de chispas, llamas abiertas, testigos piloto, calor y otras fuentes de encendido.
- Compruebe con frecuencia si existen grietas o fugas en las mangueras de combustible, el tanque, la tapa y en los accesorios. Cámbielos si es necesario
- Si se derramó combustible, espere hasta que se haya evaporado antes de darle arranque al motor.

### Quando le de Arranque al motor

- Asegúrese que la bujía, el mofle, la tapa de combustible y el filtro de aire (si está equipado) estén en su lugar, y firmemente asegurados.
- No haga girar el motor si removió la bujía.
- Si el motor se inunda, ajuste el estrangulador (si está equipado) en la posición OPEN/RUN, coloque el acelerador (si está equipado) en la posición FAST y haga girar el motor hasta que de arranque.

### Quando Opere El Equipo

- No incline el motor ni el equipo a un ángulo que pueda ocasionar derrames de combustible.
- No use el estrangulador para detener el motor.
- Nunca arranque u opere el motor si removió el conjunto del filtro de aire (si está equipado) o el filtro de aire (si está equipado).

### Quando cambie el aceite

- Si drena el aceite desde el tubo superior de llenado de aceite, el tanque de combustible debe estar vacío o de lo contrario podría presentarse una fuga de combustible que podría ocasionar un incendio o una explosión.

### Al inclinar la unidad para trabajos de mantenimiento

- Al realizar trabajos de mantenimiento que requieran inclinar la unidad, el tanque de combustible debe estar desocupado o podría haber una fuga de combustible y generar un incendio o una explosión.

### Quando Transporte el Equipo

- Transpórtelo con el tanque de combustible VACÍO o con la válvula de paso de combustible en la posición OFF.

### Quando Almacene el Combustible o el Equipo con Combustible en el Tanque

- Almacene a distancia de hornos, estufas, calentadores de agua u otros aparatos que utilicen testigos piloto u otras fuentes de encendido ya que estos pueden encender los vapores combustibles.



## ADVERTENCIA



**Dar arranque al motor crea chispeo.**



**El chispeo puede encender los gases inflamables cercanos.**

**Podría ocurrir una explosión o un incendio.**

- Si hay una fuga de gas natural o gas propano LP en el área, no le de arranque al motor.
- No use líquidos de arranque presurizado ya que los vapores son inflamables.



## ADVERTENCIA



**La retracción rápida de la cuerda de arranque (contragolpe) le halará la mano y el brazo hacia el motor más rápido de lo que usted la pueda dejar ir.**

**Podrían ocasionarse roturas de huesos, fracturas, moretones o torceduras.**

- Cuando le de arranque al motor, hale lentamente la cuerda hasta que se sienta resistencia y después hálela rápidamente para evitar un contragolpe.
- Remueva todas las cargas externas del equipo/motor antes de darle arranque al motor.
- Los componentes de acople directo del equipo tal como, pero sin limitarse a, cuchillas, impulsores, poleas, dientes de piñones, etc. se deben asegurar firmemente.



## ADVERTENCIA



**PELIGRO DEBIDO A GAS VENENOSO.** El escape del motor contiene monóxido de carbono, un gas venenoso que puede matarlo en cuestión de minutos. Usted **NO PUEDE** verlo, olerlo o probarlo. Incluso si usted no puede oler los vapores del escape, usted todavía puede estar expuesto al monóxido de carbono. Si usted comienza a sentirse enfermo, mareado, o débil mientras usa este producto, apáguelo y salga al aire fresco **INMEDIATAMENTE**. Consulte a un médico. Usted puede sufrir de intoxicación por monóxido de carbono.

- Opere este producto ÚNICAMENTE lejos de ventanas, puertas y rejillas de ventilación para reducir el riesgo de que se acumule el monóxido de carbono y que potencialmente resulte arrastrado hacia los espacios ocupados.
- Instale alarmas para monóxido de carbono que funcionen con baterías o alarmas insertables para monóxido de carbono con batería de respaldo, de acuerdo a las instrucciones del fabricante. Las alarmas de humo no pueden detectar el monóxido de carbono.
- NO haga funcionar este producto dentro de hogares, garajes, sótanos, espacios para acceso, casetas u otros espacios parcialmente cerrados, incluso si se usan ventiladores o se abran las puertas y ventanas para propósitos de ventilación. El monóxido de carbono puede acumularse rápidamente en estos espacios y puede persistir durante horas, incluso después de que se haya apagado este producto.
- SIEMPRE coloque este producto a favor del viento y apunte el escape del motor lejos de espacios ocupados.



## ADVERTENCIA



**Las partes rotantes pueden tener contacto o enredar las manos, los pies, el cabello, la ropa o los accesorios.**



**Puede producirse una traumática amputación o una grave laceración.**

- Opere el equipo con los protectores en su lugar.
- Mantenga sus manos y sus pies a distancia de las partes rotantes.
- Recójase el cabello largo y quítese las joyas.
- No use ropa floja, tiras que cuelguen ni artículos que puedan ser agarrados.



## ADVERTENCIA



**El funcionamiento de los motores produce calor. Las partes de los motores, especialmente el mofle, se calientan demasiado.**



**Pueden ocurrir graves quemaduras a causa de su contacto.**



**Desechos combustibles, tal como hojas, grama, maleza, etc. pueden alcanzar a encenderse.**

- Deje que el mofle, el cilindro y las aletas del motor se enfríen antes de tocarlos.
- Remueva los desechos acumulados en el área del mofle y en el área del cilindro.
- Usar u operar el motor en un terreno que contenga bosques, arbustos o pasto es una violación al Código de Recursos Públicos de California, Sección 4442, a menos que el sistema de escape esté equipado con un atrapachispas, según se define en la Sección 4442, mantenido en excelente estado de funcionamiento. Otros estados o jurisdicciones federales pueden tener leyes similares. Contacte al fabricante, comerciante o distribuidor del equipo original para obtener un atrapachispas diseñado para el sistema de escape instalado en este motor.



## ADVERTENCIA



**Un chispeo involuntario puede producir un incendio o una descarga eléctrica.**



**Una puesta en marcha involuntaria puede ocasionar un enredo, una amputación traumática o una laceración.**



**Peligro de incendio**

### Antes de hacer ajustes o reparaciones:

- Desconecte el cable de la bujía y mántegalo a distancia de la bujía.
- Desconecte la batería en la terminal negativa (únicamente motores con arranque eléctrico).
- Use únicamente las herramientas correctas.
- No manipule los resortes del regulador, las varillas u otras partes para incrementar la velocidad del motor.
- Los repuestos deben ser del mismo diseño y ser instalados en la misma posición que tenían las partes originales. Es posible que otros repuestos no funcionen tan bien, dañen la unidad y hasta pueden ocasionar lesiones.
- No golpee la volante con un martillo ni con un objeto pesado ya que la volante podría astillarse más adelante durante la operación.

### Quando compruebe chispa:

- Utilice un probador aprobado.
- No compruebe chispa si removió la bujía.

# Características y Controles

Compare la ilustración **1** con su motor para que se familiarice con la localización de las diversas características y controles.

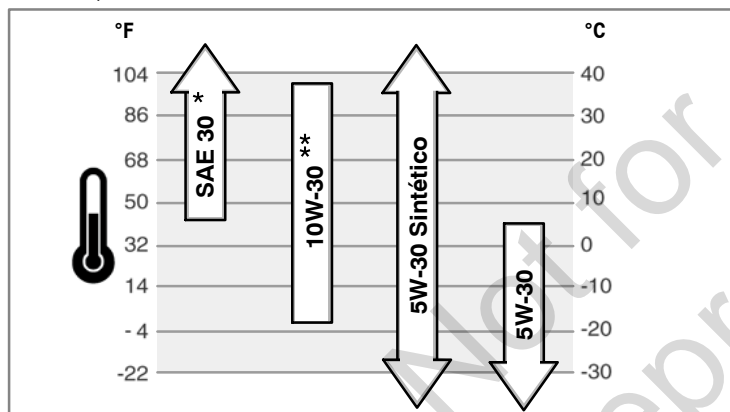
- A. Identificación del motor  
**Modelo Tipo Código**
- B. Bujía
- C. Filtro de Aire, Bajo Perfil
- D. Varilla Indicadora de Nivel de Aceite
- E. Llenado de Aceite
- F. Filtro de Aceite
- G. Tapón de drenaje de aceite
- H. Sensor de Presión de Aceite
- I. Parrilla de la admisión de aire
- J. Arranque eléctrico
- K. Solenoide de Arranque
- L. Regulador/Rectificador
- M. Bomba de combustible
- N. Refrigerador de Aceite (si está equipado)
- O. Filtro de Combustible (si está equipado)

## Operación

Capacidad de aceite (consulte la sección de **Especificaciones**)

### Recomendaciones de Aceite

Recomendamos el uso de aceites Briggs & Stratton Warranty Certified para obtener el mejor desempeño. Otros aceites detergentes de alta calidad son aceptables si están clasificados para servicio SF, SG, SH, SJ o mayores. No utilice aditivos especiales. Las temperaturas externas determinan la viscosidad adecuada del aceite para el motor. Utilice la tabla para seleccionar la mejor viscosidad según el rango de temperatura externa esperado.



\* Si se utiliza SAE 30 a una temperatura inferior a los 40°F (4°C) se producirá un arranque difícil.

\*\* Si se utiliza 10W-30 a una temperatura superior a los 80°F (27°C) se podrá ocasionar un mayor consumo de aceite. Verifique el nivel de aceite con mayor frecuencia.

### Cómo Comprobar/Añadir Aceite - Figura 2

#### Antes de añadir o comprobar el nivel de aceite

- Coloque el motor a nivel.
  - Limpie el área de llenado de aceite de todo desecho.
1. Remueva la varilla indicadora de nivel de aceite (A) y límpiela con un trapo limpio (Figura 2).
  2. Inserte y apriete la varilla indicadora de nivel de aceite.
  3. Remueva la varilla indicadora de nivel de aceite y compruebe el nivel de aceite. El aceite debe llegar arriba del indicador de (B) en la varilla indicadora de nivel de aceite.
  4. Si el nivel de aceite es bajo, agregue aceite lentamente por dentro del tubo de llenado de aceite (C). **No lo llene excesivamente.** Después de añadir aceite, espere un minuto y vuelva a comprobar el nivel de aceite.
  5. Coloque y apriete la varilla indicadora de nivel de aceite.

#### Sistema de protección contra bajo nivel de aceite (si está equipado)

Algunos motores están equipados con un sensor de bajo nivel de aceite. Si el nivel de aceite es bajo, el sensor o activará una luz de advertencia o detendrá el motor. Pare el motor y siga estos pasos antes de volverlo a arrancar.

- Asegúrese que el motor esté nivelado.
- Verifique el nivel de aceite. Consulte la sección **Cómo verificar/Agregar aceite.**

- Si el nivel de aceite es bajo, añada la cantidad apropiada de aceite. Arranque el motor y compruebe que la luz de advertencia (si está equipada) no quede encendida.
- Si el nivel de aceite no está en bajo **no dé arranque** al motor. Contacte un Distribuidor Autorizado Briggs & Stratton para corregir el problema de presión de aceite.

### Recomendaciones para el Combustible

#### El combustible debe cumplir con estos requerimientos:

- gasolina limpia, fresca y libre de plomo.
  - Un mínimo de 87 octanos/87 AKI (91 RON). Vea a continuación si se usa a alta altitud.
  - El uso de gasolina hasta con el 10% de ethanol (gasohol) es aceptable.
- PRECAUCIÓN:** No use gasolina que no haya sido aprobada, tal como E15 ó E85. No mezcle el aceite con la gasolina, ni modifique el motor para operarlo con combustibles alternos. El uso de combustibles no aprobados causará daños a los componentes del motor, que no estarán cubiertos por la garantía.

Para proteger el sistema de combustible de la formación de depósitos de goma, mézclele un estabilizador de combustible cuando le añada combustible. Consulte el aparte: **Bodegaje.** Todos los combustibles no son los mismos. Si se presentan problemas de arranque o de rendimiento cambie de proveedor de combustible o de marca. Este motor está certificado para operar con gasolina. El sistema de control de emisiones para este motor es EM (Modificaciones del Motor).

### Alta Altitud

A alturas superiores a 5,000 pies (1524 metros), es aceptable una gasolina con un mínimo de 85 octanos/85 AKI (89 RON).

Para los motores con carburador, se requiere ajuste para gran altitud a fin de cumplir con las regulaciones sobre emisiones. De no realizarse este ajuste, el rendimiento se reducirá y el consumo de combustible y las emisiones aumentarán. Póngase en contacto con un distribuidor autorizado de Briggs & Stratton para obtener información sobre el ajuste para gran altitud. No se recomienda operar el motor a altitudes inferiores a 762 metros (2,500 pies) con el ajuste para gran altitud.

Para motores con inyección electrónica de combustible (EFI), no es necesario ningún ajuste para gran altitud.

### Cómo Añadir Combustible - Figura 3



#### ADVERTENCIA



**El combustible y sus vapores son extremadamente inflamables y explosivos.**



**Un incendio o una explosión pueden causar graves quemaduras o la muerte.**

#### Cuando Aprovechone con Combustible

- Apague el motor y deje que el motor se enfríe por lo menos 2 minutos antes de remover la tapa de combustible.
- Llène el tanque de combustible en exteriores o en un área bien ventilada.
- No llene demasiado el tanque de combustible. Para permitir la expansión del combustible no llene por encima de la parte inferior del cuello del tanque de combustible
- Mantenga el combustible a distancia de chispas, llamas abiertas, testigos piloto, calor y otras fuentes de encendido.
- Compruebe con frecuencia si existen grietas o fugas en las mangueras de combustible, el tanque, la tapa y en los accesorios. Cámbielos si es necesario
- Si se derramó combustible, espere hasta que se haya evaporado antes de darle arranque al motor.

1. Limpie el área de la tapa de combustible de polvo y desechos. Retire la tapa de combustible (A). (Figura 3).
2. Llène el tanque de combustible (B) con combustible. Para permitir la expansión de la gasolina, no lo llene por encima de la parte inferior del cuello del tanque de combustible (C).
3. Re-instale la tapa de combustible.

### Cómo Darle Arranque al Motor - Figura 4



#### ADVERTENCIA



**El combustible y sus vapores son extremadamente inflamables y explosivos.**



**Un incendio o una explosión pueden causar graves quemaduras o la muerte.**

#### Cuando le de Arranque al motor

- Asegúrese que la bujía, el mofle, la tapa de combustible y el filtro de aire (si está equipado) estén en su lugar, y firmemente asegurados.
- No haga girar el motor si removió la bujía.
- Si el motor se inunda, ajuste el estrangulador (si está equipado) en la posición OPEN/RUN, coloque el acelerador (si está equipado) en la posición FAST y haga girar el motor hasta que de arranque.



## ADVERTENCIA

**PELIGRO DEBIDO A GAS VENENOSO.** El escape del motor contiene monóxido de carbono, un gas venenoso que puede matarlo en cuestión de minutos. Usted **NO PUEDE** verlo, olerlo o probarlo. Incluso si usted no puede oler los vapores del escape, usted todavía puede estar expuesto al monóxido de carbono. Si usted comienza a sentirse enfermo, mareado, o débil mientras usa este producto, apáguelo y salga al aire fresco **INMEDIATAMENTE**. Consulte a un médico. Usted puede sufrir de intoxicación por monóxido de carbono.

- Opere este producto ÚNICAMENTE lejos de ventanas, puertas y rejillas de ventilación para reducir el riesgo de que se acumule el monóxido de carbono y que potencialmente resulte arrastrado hacia los espacios ocupados.
- Instale alarmas para monóxido de carbono que funcionen con baterías o alarmas insertables para monóxido de carbono con batería de respaldo, de acuerdo a las instrucciones del fabricante. Las alarmas de humo no pueden detectar el monóxido de carbono.
- NO haga funcionar este producto dentro de hogares, garajes, sótanos, espacios para acceso, casetas u otros espacios parcialmente cerrados, incluso si se usan ventiladores o se abran las puertas y ventanas para propósitos de ventilación. El monóxido de carbono puede acumularse rápidamente en estos espacios y puede persistir durante horas, incluso después de que se haya apagado este producto.
- SIEMPRE coloque este producto a favor del viento y apunte el escape del motor lejos de espacios ocupados.

**NOTIFICACIÓN:** Este motor fue despachado de Briggs & Stratton sin aceite. Antes de darle arranque al motor, asegúrese de agregar aceite de acuerdo con las instrucciones de este manual. Si da arranque al motor sin que éste tenga aceite, se dañará hasta tal punto que no podrá ser reparado y no será cubierto por la garantía.

## Determine el sistema de arranque

Antes de dar arranque al motor, debe determinar el tipo de sistema de arranque que se encuentra en su motor. Su motor tendrá alguno de los siguientes tipos de sistemas.

- **Inyección electrónica de combustible (EFI) Sistema:** Este cuenta con inyección electrónica de combustible. No tiene un estrangulador manual.
- **Sistema de Estrangulador:** Ofrece un estrangulador que será utilizado para dar arranque al motor en temperaturas frías. Algunos modelos tendrán por separado un control de estrangulador mientras que otros tendrán un control combinado de estrangulador/accelerador. Este tipo de sistema no tiene un cebador.

Para dar arranque a su motor, siga las instrucciones para su tipo de sistema de arranque.

*Nota:* Algunos motores y equipos tienen controles remotos y dispositivos de seguridad. Antes de arrancar el motor, vea el manual del equipo para la ubicación y operación de estos controles y dispositivos.




## Sistema de Inyección electrónica de combustible (EFI) - Figura 4

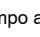
1. Compruebe el nivel de aceite. Vea la sección **Cómo Comprobar/Aprovisionar con Aceite**.
2. Asegúrese que los controles de transmisión del equipo, si están equipados, estén desconectados.
3. Mueva el control del acelerador a la posición slow.
4. Gire el interruptor de arranque eléctrico hasta la posición (D, Figura 4) on/start.

*NOTA:* Si el motor no arranca después de varios intentos, póngase en contacto con su distribuidor local o vaya a Briggs & Stratton or call **1-800-999-9333** (en los EE.UU.).


**NOTIFICACIÓN:** Para prolongar la duración del arrancador, utilice ciclos de arranque cortos (máximo de cinco segundos). Espere un minuto entre ciclos de arranque.

## Sistema de estrangulador - Figura 4

1. Compruebe el nivel de aceite. Vea la sección **Cómo Comprobar/Añadir Aceite**.
2. Asegúrese de que los controles de impulso del equipo, si están equipados, estén desengranados.
3. Gire la válvula de cierre de combustible (A, Figura 4), si está equipada, hacia la posición on.
4. Mueva el control del estrangulador hacia la posición fast . Opere el motor con el control del acelerador en la posición fast .
5. Mueva la control del estrangulador (C) hacia la posición choke .


*Nota:* Para dar arranque al motor con un sistema de combustible seco (arranque por primera vez o luego de agotarse el combustible), se hará necesario tiempo de arranque adicional en la posición choke . Esto le dará tiempo a la bomba de combustible para cebar el sistema de combustible.

6. Gire el suiche del arranque eléctrico (D) hacia la posición on/start (Figura 4).

7. Si el motor arranca pero no continúa funcionando, mueva el control del estrangulador (C) a la posición run  para dar arranque al motor.

**NOTIFICACIÓN:** Para prolongar la duración del arrancador, utilice ciclos de arranque cortos (máximo de cinco segundos). Espere un minuto entre ciclos de arranque.

*Nota:* Si el motor no arranca después de varios intentos, visite [VanguardEngines.com](http://VanguardEngines.com) o llame al **1-800-999-9333** (en los EE.UU.).

8. A medida que el motor se calienta, mueva el control del estrangulador (C) a la posición run .

## Cómo Detener el Motor - Figura 4



### ADVERTENCIA

**El combustible y sus vapores son extremadamente inflamables y explosivos.**

**Un incendio o una explosión pueden causar graves quemaduras o la muerte.**

- No ahogue el carburador, si está equipado, para detener el motor.

1. Mueva el control del acelerador hacia la posición slow, gire el suiche de la llave (D, Figura 4) hacia la posición off. Retire la llave y guárdela en un lugar seguro fuera del alcance de los niños.

2. Después de que se detenga el motor, gire la válvula de cierre de combustible (A), si está equipada, a la posición closed.

## Mantenimiento

Recomendamos que contacte a cualquier Distribuidor Autorizado de Briggs & Stratton para todo lo relacionado con el mantenimiento y el servicio del motor y sus partes.

**NOTIFICACIÓN:** Todos los componentes utilizados para fabricar este motor deben mantenerse en su lugar para una correcta operación.



### ADVERTENCIA:

Al realizar trabajos de mantenimiento que requieran inclinar la unidad, el tanque de combustible debe estar desocupado o podría haber una fuga de combustible y generar un incendio o una explosión.

## Control de Emisiones

**El mantenimiento, cambio o reparación de los dispositivos y sistemas de control de emisiones pueden ser realizados por cualquier establecimiento o persona que repare motores todo terreno.** Sin embargo, para obtener servicio sin costo para el sistema de control de emisiones el trabajo debe ser realizado por un distribuidor autorizado por la fábrica. Vea la Garantía de Emisiones.



### ADVERTENCIA

**Un chispeo involuntario puede producir un incendio o una descarga eléctrica.**

**Una puesta en marcha involuntaria puede ocasionar un enredo, una amputación traumática o una laceración.**

**Peligro de incendio**



### Antes de hacer ajustes o reparaciones:

- Desconecte el cable de la bujía y mántegalo a distancia de la bujía.
- Desconecte la batería en la terminal negativa (únicamente motores con arranque eléctrico).
- Use únicamente las herramientas correctas.
- No manipule los resortes del regulador, las varillas u otras partes para incrementar la velocidad del motor.
- Los repuestos deben ser del mismo diseño y ser instalados en la misma posición que tenían las partes originales. Es posible que otros repuestos no funcionen tan bien, dañen la unidad y hasta pueden ocasionar lesiones.
- No golpee la volante con un martillo ni con un objeto pesado ya que la volante podría astillarse más adelante durante la operación.

### Cuando compruebe chispa:

- Utilice un probador aprobado.
- No compruebe chispa si removió la bujía.

## Cuadro de Mantenimiento

Cada 8 Horas o Diariamente
<ul style="list-style-type: none"><li>• Compruebe el nivel de aceite del motor.</li><li>• Limpie el área alrededor del mofle y los controles</li></ul>
Cada 100 horas o anualmente
<ul style="list-style-type: none"><li>• Limpie o cambie el filtro de aire *</li><li>• Cambie el aceite y el filtro del motor</li><li>• Limpie el pre-filtro (si está equipado) *</li><li>• Cambie la bujía</li><li>• Compruebe el mofle y el atrapachispas</li></ul>
Cada 250 horas o anualmente
<ul style="list-style-type: none"><li>• Compruebe la tolerancia de la válvula. Ajuste si es necesario.</li></ul>
Cada 400 horas o anualmente
<ul style="list-style-type: none"><li>• Cambie el filtro de aire</li><li>• Reemplace el filtro de combustible</li><li>• Limpie el sistema de enfriamiento de aire *</li><li>• Limpie las aletas refrigerantes de aceite *</li></ul>
Cada 600 horas o anualmente
<ul style="list-style-type: none"><li>• Cambie el filtro de seguridad (si está equipado)</li></ul>

\* Limpie con mayor frecuencia en condiciones de mucho polvo o cuando el aire contenga muchas partículas.

## Inyección electrónica de combustible (EFI) Sistema

El sistema EFI supervisa la temperatura del motor, la velocidad del motor, y el voltaje de la batería durante el arranque y el calentamiento del motor. No existen ajustes en el sistema. Si se presentarán problemas en el arranque o en la operación, póngase en contacto con un distribuidor autorizado de Briggs & Stratton.

**NOTIFICACIÓN:** Cerciórese de seguir los pasos a continuación. De lo contrario podrían producirse daños en el sistema EFI.

- Nunca de arranque al motor si los cables de la batería están flojos.
- Gire la llave hacia la posición off antes de desconectar, retirar y/o instalar la batería.
- Nunca utilice un cargador de baterías para dar arranque al motor.
- Nunca desconecte los cables de la batería mientras que el motor esté andando.
- Al conectar los cables de batería, primero conecte el cable positivo (+) y luego conecte el cable negativo (-) a la batería.
- Al cargar la batería, gire el suiche de encendido a la posición off y desconecte el cable de batería negativo (-) de la batería.
- No rocíe agua directamente sobre la Unidad Electrónica de Control.

## Ajuste del carburador y de la velocidad del motor

Nunca haga ajustes al carburador o a la velocidad del motor. El carburador fue ajustado en fábrica para operar eficientemente bajo la mayoría de las condiciones. No interfiera con el resorte del regulador, las varillas u otras partes para cambiar la velocidad del motor. Si son necesarios ajustes póngase en contacto con un Centro de Servicio Autorizado de Briggs & Stratton para que le presten el servicio.

**AVISO:** El fabricante del equipo especifica la velocidad máxima para el motor tal como ha sido instalado en el equipo. **No exceda** esta velocidad. Si no está seguro de cuál es la velocidad máxima del equipo, o cuál era la velocidad del motor ajustada en la fábrica, póngase en contacto con un Centro de Servicio Autorizado de Briggs & Stratton para obtener ayuda. Para un funcionamiento seguro y adecuado del equipo, la velocidad del motor debe ser ajustada solamente por un técnico de servicio calificado.

## Cómo Cambiar la Bujía - Figura 5

Compruebe el entrehierro (A, Figura 5) con un calibrador de alambre (B). Si es necesario, reajuste el entrehierro. Instale y apriete la bujía al par de torsión recomendado. Para el ajuste del entrehierro o el par de torsión, consulte la sección de **Especificaciones**.

**Nota:** En algunas áreas, las leyes locales requieren el uso de una bujía con resistencia para suprimir las señales de encendido. Si este motor vino originalmente equipado con una bujía con resistencia, utilice el mismo tipo de bujía cuando la reemplace.

## Inspección del Mofle y el Atrapachispas - Figura 6



### ADVERTENCIA



El funcionamiento de los motores produce calor. Las partes de los motores, especialmente el mofle, se calientan demasiado.

Pueden ocurrir graves quemaduras a causa de su contacto.



Desechos combustibles, tal como hojas, grama, maleza, etc. pueden alcanzar a encenderse.

- Deje que el mofle, el cilindro y las aletas del motor se enfríen antes de tocarlos.
- Remueva los desechos acumulados en el área del mofle y en el área del cilindro.
- Usar u operar el motor en un terreno que contenga bosques, arbustos o pasto es una violación al Código de Recursos Públicos de California, Sección 4442, a menos que el sistema de escape esté equipado con un atrapachispas, según se define en la Sección 4442, mantenido en excelente estado de funcionamiento. Otros estados o jurisdicciones federales pueden tener leyes similares. Contacte al fabricante, comerciante o distribuidor del equipo original para obtener un atrapachispas diseñado para el sistema de escape instalado en este motor.

Remueva los desechos acumulados en el área del mofle y en el área del cilindro. Inspeccione el mofle (A, Figura 6) en busca de grietas, corrosión u otros daños. Remueva el atrapachispas (B), en caso de estar equipado, e inspeccione en búsqueda de daños u obstrucciones de carbón. Si se encuentran daños, instale los repuestos antes de operar.



**ADVERTENCIA:** Los repuestos deben ser del mismo diseño y ser instalados en la misma posición que tenían las partes originales. Es posible que otros repuestos no funcionen tan bien, dañen la unidad y hasta pueden ocasionar lesiones.

## Cómo Cambiar el Aceite - Figura 7

El aceite usado es un producto de desecho peligroso y debe ser desechado en forma apropiada. No lo descarte en la basurera de la casa. Verifique con sus autoridades locales, con el centro de servicio, o con su distribuidor para obtener información acerca de las facilidades seguras para su destrucción/reciclaje.

### Remoción del Aceite

1. Con el motor apagado pero aún caliente, desconecte el cable de la bujía (A) y manténgalo a distancia de la bujía (Figura 7).
2. Remueva el tapón de drenaje de aceite (B). Drene el aceite a un recipiente aprobado.
3. Después de haber drenado el aceite del motor, instale y apriete el tapón de drenaje de aceite.

### Cambio del Filtro de Aceite

Todos los modelos están equipados con un filtro de aceite. Para consultar cada cuánto deben ser reemplazados, vea la tabla de **Mantenimiento**.

1. Drene el aceite del motor. Consulte la sección **Remoción del Aceite**.
2. Remueva el filtro de aceite (C, Figura 7) y deséchelo de manera adecuada.
3. Antes de instalar el nuevo filtro de aceite, lubrique un poco el empaque del filtro de aceite con aceite fresco y limpio.
4. Instale manualmente el filtro de aceite de hasta que el empaque haga contacto con el adaptador del filtro de aceite, luego apriete el filtro de aceite dándole 1/2 a 3/4 vueltas.
5. Agregue aceite. Consulte la sección **Aprovisionamiento de Aceite**.
6. De arranque y opere el motor. A medida que el motor se caliente compruebe que no presente fugas de aceite.
7. Detenga el motor y compruebe el nivel de aceite. El aceite debe llegar arriba del indicador de (F) en la varilla indicadora de nivel de aceite.

### Aprovisionamiento de Aceite

- Coloque el motor a nivel.
  - Limpie el área de llenado de aceite de todo desecho.
  - Consulte la sección de **Especificaciones** para la capacidad de aceite.
1. Remueva la varilla indicadora de nivel de aceite (D, Figura 7) y límpiela con un trapo limpio.
  2. Vierta el aceite lentamente por dentro del tubo de llenado de aceite (E). **No lo llene excesivamente**. Después de añadir aceite, espere un minuto y vuelva a comprobar el nivel de aceite.
  3. Coloque y ajuste la varilla indicadora.
  4. Remueva la varilla indicadora de nivel de aceite y compruebe el nivel de aceite. El aceite debe llegar arriba del indicador de (F) en la varilla indicadora de nivel de aceite.
  5. Coloque y ajuste la varilla indicadora.



## Cómo Darle Servicio al Filtro de Aire - Figura 8



### ADVERTENCIA



El combustible y sus vapores son extremadamente inflamables y explosivos.



Un incendio o una explosión pueden causar graves quemaduras o la muerte.

- Nunca arranque u opere el motor si removió el conjunto del filtro de aire o el filtro de aire.

**NOTIFICACIÓN:** No use aire a presión ni solventes para limpiar el filtro. El aire a presión puede dañar el filtro y los solventes pueden disolverlo.

Consulte la **Tabla de Mantenimiento** para los requerimientos de servicio.

### Sistema de Filtro de Aire de Bajo Perfil

1. Remueva la perilla (F) y la tapa (G). Vea Figura 8.
2. Remueva la tuerca (H) y el retenedor (J).
3. Remueva el filtro de aire (K).
4. Remueva el pre-filtro (L), si está equipado, del filtro de aire.
5. Para aflojar los desechos, golpee suavemente el filtro sobre una superficie dura. Si el filtro está excesivamente sucio, reemplácelo con un nuevo filtro.
6. Lave el pre-filtro en detergente líquido y agua. Luego permita que se seque completamente al aire. **No** aceite el pre-filtro.
7. Instale el pre-filtro seco sobre el filtro de aire.
8. Instale el filtro de aire y asegúrelo con el retenedor y la tuerca.
9. Instale la tapa y asegúrela con la perilla.

## Cómo Limpiar el Sistema de Enfriamiento de Aire - Figura 9



### ADVERTENCIA



El funcionamiento de los motores produce calor. Las partes de los motores, especialmente el mofle, se calientan demasiado.



Pueden ocurrir graves quemaduras a causa de su contacto.



Desechos combustibles, tal como hojas, grama, maleza, etc. pueden alcanzar a encenderse.

- Deje que el mofle, el cilindro y las aletas del motor se enfríen antes de tocarlos.
- Remueva los desechos acumulados en el área del mofle y en el área del cilindro.

**NOTIFICACIÓN:** No use agua para limpiar el motor. El agua podría contaminar el sistema de combustible. Utilice un cepillo o un trapo seco para limpiar el motor.

Este es un motor enfriado por aire. Las suciedades o los desechos pueden restringir el flujo de aire y ocasionar recalentamiento en el motor, produciendo un desempeño pobre y una vida del motor reducida.

Utilice un cepillo o paño seco para remover los desechos del área de la admisión de aire (A, Figura 9). Mantenga las varillas, los resortes y los controles (B) limpios. Mantenga el área alrededor y por detrás del mofle (C) libre de todo desecho combustible. Asegúrese de que las aletas de enfriamiento del aceite (D) estén libres de mugre y de desechos.

## Cómo reemplazar el filtro de combustible - Figura 10



### ADVERTENCIA



El combustible y sus vapores son extremadamente inflamables y explosivos.



Un incendio o una explosión pueden causar graves quemaduras o la muerte.

- Mantenga el combustible a distancia de chispas, llamas abiertas, testigos piloto, calor y otras fuentes de encendido.
- Compruebe con frecuencia si existen grietas o fugas en las mangueras de combustible, el tanque, la tapa y en los accesorios. Cámbielos si es necesario.
- Antes de reemplazar el filtro, drene el tanque de combustible o cierre la válvula de paso de combustible.
- Los repuestos deben ser iguales e instalarse en la misma posición que tenían las partes originales.
- Si se derramó combustible, espere hasta que se haya evaporado antes de darle arranque al motor.

1. Antes de reemplazar el filtro de combustible (A, Figura 10), si está equipado, drene el tanque de combustible o cierre la válvula de cierre de combustible. De no hacerlo, podría presentarse una fuga de combustible y generar un incendio o una explosión.
2. Utilice alicates para apretar las pestañas (B) en las abrazaderas (C), luego aleje las abrazaderas del filtro de combustible. Gire y hale las mangueras de combustible (D) separándolas del filtro de combustible.
3. Revise las mangueras de combustible para comprobar si hay grietas o fugas. Reemplácelas en caso de ser necesario.
4. Reemplace el filtro de combustible con un filtro de repuesto genuino.
5. Asegure las mangueras de combustible con las abrazaderas según lo indicado.

es

## Bodegaje



### ADVERTENCIA



El combustible y sus vapores son extremadamente inflamables y explosivos.



Un incendio o una explosión pueden causar graves quemaduras o la muerte.

#### Quando Almacene el Combustible o el Equipo con Combustible en el Tanque

- Almacene a distancia de hornos, estufas, calentadores de agua u otros aparatos que utilicen testigos piloto u otras fuentes de encendido ya que estos pueden encender los vapores combustibles.

### Sistema de Combustible

El combustible puede pasarse si se lo almacena por más de 30 días. El combustible pasado provoca la formación de depósitos de ácido y goma en el sistema de combustible o en partes esenciales del carburador. Para mantener el combustible fresco, utilice el **Estabilizador y tratamiento de combustible con fórmula avanzada de Briggs & Stratton**, disponible donde se venden partes de servicio legítimas de Briggs & Stratton.

Si el estabilizador se agrega de acuerdo a las instrucciones, no es necesario drenar la gasolina del motor. Haga andar el motor durante 2 minutos para hacer circular el estabilizador por el sistema de combustible antes de proceder al almacenamiento.

Si la gasolina en el motor no ha sido tratada con un estabilizador de combustible, debe ser drenada a un recipiente aprobado. Deje que el motor opere hasta que se detenga por la falta de combustible. Se recomienda el uso de un estabilizador de combustible en el recipiente de almacenamiento para mantener la frescura.

### Aceite del Motor

Cambie el aceite del motor mientras que el motor se encuentre todavía caliente.

### Detección de Fallas

¿Necesita Asistencia? Vaya a [VanguardEngines.com](http://VanguardEngines.com) o marque el teléfono **1-800-999-9333** (en los EE.UU.).

## Especificaciones

### Especificaciones del Motor

Modelo	613700, 61E900
Desplazamiento	60,60 in <sup>3</sup> (993 cm <sup>3</sup> )
Diámetro Interno del Cilindro	3,366 in (85,5 mm)
Carrera	3,406 in (77,21 mm)
Capacidad de Aceite	78 - 80 oz (2,3 - 2,4 L)

### Especificaciones de Ajuste \*

Modelo	613700, 61E900
Entrehierro de la Bujía	0,030 in (0,76 mm)
Par de Torsión de la Bujía	180 lb-in (20 Nm)
Entrehierro Inducido - Modelos de carburador	0,005 - 0,008 pulgadas (0,13 - 0,20 mm)
Tolerancia de la Válvula de Admisión	0,004 - 0,006 pulgadas (0,10 - 0,15 mm)
Tolerancia de la Válvula de Escape	0,007 - 0,009 pulgadas (0,18 - 0,23 mm)

\* La potencia del motor disminuirá 3.5% por cada 1,000 pies (300 metros) sobre el nivel del mar y un 1% por cada 10° F (5.6° C) por encima de 77° F (25° C). El motor operará satisfactoriamente a un ángulo de hasta 15°. Refiérase al manual del operador del equipo para obtener información acerca de los límites de operación permitidos en pendientes.

### Partes de Servicio Comunes

Parte de Servicio	Numero de parte
Filtro de bajo perfil	692519
Pre-filtro de bajo perfil	692520
Aceite - SAE 30	100028
Filtro de Aceite	842921
Filtro de Combustible	845125
Estabilizador y tratamiento de combustible con fórmula avanzada	5442
Bujía con Resistencia	491055
Bujía de Platino de Larga Vida	5066
Llave de Bujía	19374
Probador de Chispa	19368

✓ Recomendamos que contacte a cualquier Distribuidor de Servicio Autorizado Briggs & Stratton para todo lo relacionado con el mantenimiento y el servicio del motor y sus partes.

**GARANTIA LIMITADA**

Briggs & Stratton Corporation garantiza que durante el período de grantí especificado más adelante reparará o reemplazará, sin costo alguno, cual(es)quier parte(s) del motor considerada(s) como defectuosas en material, mano de obra o ambos. Los gastos de transporte del producto sometido a reparación o cambio bajo esta Garantía deben ser abonados por el comprador. Esta garantía tiene vigencia y está sujeta a los períodos y condiciones establecidos a continuación. Para recibir servicio de garantía, contacte el Distribuidor de Servicio Autorizado más cercano en nuestro mapa de localización de distribuidores en BRIGGSandSTRATTON.COM. El comprador debe ponerse en contacto con el Distribuidor de Servicio Autorizado, y luego poner el producto a disposición del Distribuidor de Servicio Autorizado para la inspección y pruebas. **No existe ninguna otra garantía expresa. Las garantías implícitas, incluso aquellas de mercantilidad o adaptabilidad para un fin determinado quedan limitadas al periodo de garantía listado a continuación o a la extensión permitida por la ley. La responsabilidad por daños fortuitos o consecuentes bajo cualquier y todas las garantías queda excluida en la medida que dicha exclusión sea permitida por la ley.** Algunos países o estados no contemplan limitaciones en cuanto a la duración de una garantía implícita, y otros países o estados no permiten la exclusión o limitación de daños consecuentes o incidentales, en cuyo caso la limitación y la exclusión anteriores pueden no ser aplicables para usted. Esta garantía le da derechos legales específicos, pudiendo tener a su vez otros derechos que varían de un estado a otro y de un país a otro. \*\*

**TÉRMINOS ESTÁNDAR PARA GARANTÍA \* ▲**

Marca/Tipo de Producto	Uso Privado	Uso Comercial
Vanguard™ ■	3 años	3 años
Serie comercial para césped™	2 años	2 años
Motores que ofrecen Dura-Bore™, Camisa de Cilindro en Hierro Fundido	2 años	1 año
Todos los otros motores Briggs & Stratton	2 años	90 días

- \* Éstos son nuestros términos de garantía estándares, pero de vez en cuando puede existir una cobertura adicional de la garantía que no fue determinada en el momento de la publicación. Para obtener un listado de los términos de garantía corrientes para su motor, vaya a BRIGGSandSTRATTON.COM o póngase en contacto con su Distribuidor de Servicio autorizado de Briggs & Stratton.
- \*\* En Australia - Nuestros productos cuentan con garantías que no pueden ser excluidas en virtud de la Ley del Consumidor de Australia. Usted tiene derecho a un reemplazo o un reembolso en caso de una falla grave y a una compensación por cualquier pérdida o daño razonablemente previsible. Usted también tiene derecho a que se le reparen o reemplacen los productos si no son de calidad aceptable y la falla no tiene como consecuencia una falla grave. Para el servicio en garantía, ubique el Distribuidor de Servicio Autorizado más cercano en nuestro mapa de ubicación de distribuidores en BRIGGSandSTRATTON.COM, o llamando al 1300 274 447, o enviando un correo electrónico o una carta a salesenquiries@briggsandstratton.com.au, Briggs & Stratton Australia Pty Ltd, 1 Moorebank Avenue, Moorebank, NSW, Australia, 2170.
- ▲ No hay garantía para los motores de los equipos utilizados para suministrar energía primaria en sustitución de un servicio público o como generadores de reserva para fines comerciales. No se garantizan los motores usados en eventos competitivos o en pistas de carreras comerciales o de alquiler.
- Vanguard instalado en generadores standby: 2 años de uso por el consumidor, la garantía solo aplica para generadores en uso privado. Vanguard instalado en vehículos de servicio: 2 años de uso por el consumidor, 2 años para uso comercial. Para Vanguard de 3 cilindros enfriado por líquido: ver la Póliza de Garantía para Motor 3/LC de Briggs & Stratton.

El período de garantía comienza a partir de la fecha en la cual lo compró el primer consumidor detallista o usuario final comercial. "Uso privado" significa uso doméstico personal por el consumidor detallista. "Uso Comercial" significa todos los otros usos, incluyendo fines comerciales o que produzcan ingresos o renta. Una vez que el motor haya sido usado comercialmente, será considerado en adelante como equipo de uso comercial para fines de esta garantía.

**Guarde su recibo de compra. Si no proporciona evidencia sobre la fecha de compra inicial cuando se solicite el servicio de garantía, la fecha de fabricación del producto será utilizada para determinar el período de garantía. No se requiere el registro del producto a fin de obtener el servicio de garantía para los productos de Briggs & Stratton.**

**Acerca de su Garantía**

Esta garantía limitada cubre solamente aspectos de materiales y/o mano de obra relacionados con el motor, y no el cambio o devolución de los equipos en los que el motor puede estar montado. El mantenimiento de rutina, los afinamientos, los ajustes o el desgaste normal no están cubiertos por esta garantía. Asimismo, la garantía no tiene aplicación si el motor ha sido alterado o modificado o si el número de serie del motor ha sido desfigurado o eliminado. Esta garantía no incluye equipos o motores usados, reacondicionados, de segunda mano o de demostración. Esta garantía no cubre daños del motor o problemas de rendimiento causados por:

- 1 El uso de partes que no sean partes originales Briggs & Stratton;
- 2 El funcionamiento del motor con aceite lubricante insuficiente, contaminado o de grado incorrecto;
- 3 El uso de combustible contaminado o rancio, gasolina formulada con un contenido de etanol mayor de 10%, o el uso de combustibles alternativos tales como gas licuado del petróleo o gas natural en motores no diseñados o fabricados originalmente por Briggs & Stratton para operar con tales combustibles;
- 4 Suciedad que entró en el motor debido al mantenimiento o re ensamblaje incorrectos del filtro de aire;

- 5 Golpear un objeto con la cuchilla de corte de un cortacésped rotatorio, adaptadores de la cuchilla, impulsores u otros dispositivos acoplados al cigüeñal sueltos o instalados incorrectamente, o excesiva tirantez de la correa en V;
- 6 Partes asociadas o conjuntos tales como embragues, transmisiones, controles del equipo, etc., los cuales no son suministrados por Briggs & Stratton;
- 7 Sobrecalentamiento debido a recortes de hierba, suciedad y desechos, o nidos de roedores los cuales taponan u obstruyen las aletas de refrigeración o el área de la volante, o por poner en funcionamiento el motor sin suficiente ventilación;;
- 8 Vibración excesiva debida al exceso de velocidad, montaje flojo del motor, cuchillas o impulsores flojos o no balanceados, o acoplamiento incorrecto de los componentes del equipo al cigüeñal;
- 9 Uso incorrecto, falta de mantenimiento de rutina, transporte, manipulación o almacenamiento de los equipos, o instalación incorrecta del motor.

**Se dispone del servicio de garantía únicamente a través de distribuidores de servicio autorizados por Briggs & Stratton Corporation. Localice su Distribuidor de Servicio Autorizado más cercano en nuestro mapa de localización de distribuidores en BRIGGSandSTRATTON.COM o marcando el teléfono 1-800-233-3723 (en EE.UU.).**

## Declaración de Garantía sobre Control de Emisiones de U.S. EPA y Briggs & Stratton Corporation Sus Derechos y Obligaciones bajo la Garantía

U.S. EPA y Briggs & Stratton (B&S) se complacen en explicarles la garantía del sistema de control de emisiones en su motor/equipo Modelo 2015-2017. B&S debe garantizar el sistema de control de emisiones en su motor/equipo por el período de tiempo listado abajo, teniendo en cuenta que no haya habido abuso, negligencia o mantenimiento incorrecto en su motor/equipo.

Su sistema de control de escape emisiones incluye partes tales como: el carburador o sistema de inyección de combustible, el sistema de encendido y el convertidor catalítico. También puede incluir mangueras, correas, conectores y otros conjuntos relacionados con el sistema de control de emisiones. Su sistema de control de emisión evaporativa puede incluir piezas tales como: carburadores, tanques de combustible, líneas de combustible, cubierta de combustible, válvulas, filtro de carbón, filtros, mangueras de vapor, abrazaderas, conectores y otros componentes relacionados.

Siempre que exista una condición de garantía, B&S reparará su motor/equipo sin ningún costo para usted incluyendo el diagnóstico, las partes y la mano de obra.

### Cobertura de la garantía del fabricante:

Los motores marinos se garantizan durante un período de cinco (5) años o 175 horas, lo que ocurra primero. Si alguna de las partes relacionadas con emisiones en su equipo/motor se encuentra defectuosa, la parte será reparada o reemplazada por B&S.

### Responsabilidades del Propietario de la Garantía:

- Como propietario del motor/equipo, usted es responsable de que se lleve a cabo el mantenimiento requerido el cual se indica en su manual del operario. B&S le recomienda guardar todos sus recibos que cubran el mantenimiento en su motor/equipo, pero B&S no solo puede negar la garantía por la falta de recibos sino por su omisión al asegurar la realización de todo el mantenimiento programado.
- Como propietario del motor/equipo, usted tiene que darse cuenta que B&S puede negarle la cobertura de la garantía si su motor/equipo o una de sus partes ha fallado debido a abuso, negligencia, mantenimiento incorrecto o modificaciones no aprobadas.
- Usted tiene la responsabilidad de llevar su motor/equipo a un centro de distribución de B&S, concesionario de servicio, o entidad equivalente, según el caso, tan pronto como exista un problema. Las reparaciones bajo garantía deben realizarse dentro de un período razonable, no superior a 30 días. Si usted tiene alguna pregunta sobre sus derechos y responsabilidades en cuanto a garantía, debe ponerse en contacto con B&S al 1-800-444-7774 (en los EE.UU.) o BRIGGSandSTRATTON.COM.

## Provisiones de la Garantía del Sistema de Control de Emisiones de Briggs & Stratton Corporation

Las siguientes son provisiones específicas relativas a la Cobertura de la Garantía del Sistema de Control de Emisiones. Es un agregado a la garantía del motor B&S para los motores no-regulados que figuran en el Manual del Operador.

### 1. Partes relacionadas con emisión garantizadas

La cobertura bajo esta garantía se extiende únicamente a las partes listadas abajo (partes de los sistemas de control de emisiones) en el grado en que estas partes estaban presentes en el motor B&S y/o el sistema de combustible suministrado por B&S.

- a. Sistema de Medición de Combustible
  - Sistema de Enriquecimiento de Arranque en Frío (estrangulación suave)
  - Carburador o sistema de inyección de combustible
  - Sensor de oxígeno
  - Unidad de control electrónico
  - Módulo de bomba de combustible
  - Tubo de combustible, aditamentos tubo de combustible, abrazaderas
  - Tanque de combustible, cubierta y correa de sujeción
  - Filtro de carbón
- b. Sistema de Inducción de Aire
  - Filtro de Aire
  - Múltiple de Admisión
  - Manguera de purga y ventilación
- c. Sistema de Encendido
  - Bujía(s)
  - Sistema de Encendido con Magneto
- d. Sistema Catalizador
  - Convertidor Catalítico
  - Múltiple de Escape
  - Sistema de Inyección de Aire o Válvula de Pulsación
- e. Items Varios Usados en los Sistemas Anteriores
  - Vacío, Temperatura, Posición, Válvulas Sensitivas de Tiempo y Suiches
  - Conectores y Conjuntos

### 2. Duración de la Cobertura

Durante un período de cinco (5) años a partir de la fecha original de compra, años o 175 horas, lo que ocurra primero, B&S garantiza al comprador original y a cada comprador subsiguiente que el motor ha sido diseñado, construido y equipado de manera que cumpla con todas las normas; que está libre de defectos de materiales y mano de obra que podrían causar la falla de una pieza garantizada; y que es idéntico en todos los aspectos importantes al motor descrito en la solicitud para certificación del fabricante. El período de garantía comienza en la fecha de la compra original del motor.

La garantía sobre las partes relacionadas con las emisiones es la siguiente:

- Cualquier parte garantizada la cual no esté programada para cambio de acuerdo con el mantenimiento requerido en el manual del operario está garantizada durante el período de garantía antes mencionado. Si una parte tal falla durante el período de cobertura de la garantía, la pieza será reparada o sustituida por B&S sin costo alguno para el propietario. Cualquier parte reparada o sustituida de acuerdo con la garantía, estará garantizada por el resto del período de la garantía.
- Cualquier parte garantizada que esté programada únicamente para la inspección periódica en el manual del operario suministrado está garantizada durante el período de garantía antes mencionado. Cualquier parte reparada o sustituida de acuerdo con la garantía, estará garantizada por el resto del período de la garantía.
- Cualquier parte garantizada la cual esté programada para cambio de acuerdo con el mantenimiento requerido en el manual del operario suministrado está garantizada por el período previo al primer punto de reemplazo programado para esa parte. Si la parte falla antes del primer reemplazo programado, la pieza será reparada o sustituida por B&S sin costo alguno para el propietario. Cualquier pieza reparada o sustituida de acuerdo con la garantía, se garantizará por el resto del período con anterioridad al primer punto de reemplazo programado para esa pieza.
- El uso de cualquier accesorio no exento o de partes modificadas por el propietario será motivo para desestimar una reclamación de garantía. El fabricante no se hace responsable por las fallas de partes garantizadas causadas por la utilización de un accesorio no exento o una parte modificada.

### 3. Cobertura Consecuente

La cobertura se extenderá hasta la falla de cualquiera de los componentes del motor ocasionada por la falla de cualesquier partes relacionadas con emisión que se encuentren bajo garantía.

### 4. Reclamos y Exclusiones de la Cobertura

Los reclamos de la garantía se completarán de acuerdo con las provisiones de la política sobre garantía del motor B&S. La cobertura de la garantía estará excluida para fallas de las partes relacionadas con emisiones que no sean partes originales B&S o para partes que fallen debido a abuso, negligencia o mantenimiento incorrecto según se establece en la política de garantía del motor B&S. B&S no se hace responsable de cubrir fallas de partes relacionadas con emisiones ocasionadas por el uso de partes adicionales o partes modificadas.

## Informations générales

Ce manuel contient des informations concernant la sécurité visant à attirer l'attention des usagers sur les dangers et les risques associés aux moteurs. Il contient aussi des instructions d'utilisation et d'entretien appropriées à ce moteur. Briggs & Stratton Corporation ne sachant pas forcément sur quel équipement ce moteur est monté, il est important de lire et de comprendre ces instructions ainsi que celles concernant l'équipement utilisé. **Conserver ces instructions originales pour un usage ultérieur.** Pour obtenir des pièces de rechange ou une assistance technique, reporter ici les numéros de Modèle, Type et Code du moteur ainsi que la date d'achat. Ces numéros sont situés sur le moteur (voir la page **Caractéristiques et commandes**).

Date d'achat: \_\_\_\_\_  
JJ/MM/AAAA

Modèle de moteur: \_\_\_\_\_  
Modèle: Type: Code:

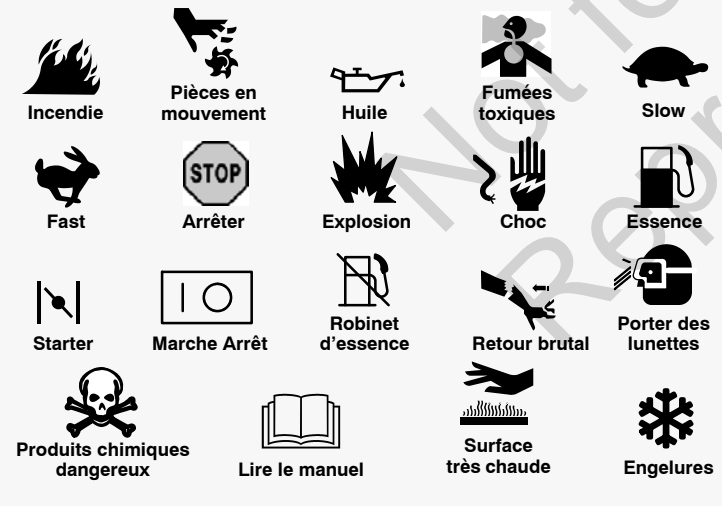
Rechercher le code-barres 2D placé sur certains moteurs. Lorsqu'il est lu par un lecteur 2D compatible, le code renvoie vers notre site internet sur lequel vous trouverez des informations pratiques sur le produit en question. En fonction des débits, il se peut que ces informations soient indisponibles dans certains pays.



**Puissance du moteur:** La puissance brute pour chaque modèle de moteur à essence est indiquée conformément à la norme J1940 (procédure de calcul de la puissance et du couple des petits moteurs) de la SAE (Society of Automotive Engineers) et elle est définie selon SAE J1995. Les valeurs de couple sont calculées sur la base de 2600tr/min pour les moteurs avec les «tr/min» mentionnés sur l'étiquette et de 3060tr/min pour les autres; les valeurs de puissance sont calculées sur la base de 3600tr/min. Les courbes de puissance brute sont disponibles sur [www.BRIGGSandSTRATTON.COM](http://www.BRIGGSandSTRATTON.COM). Les valeurs nettes de puissance sont établies avec l'échappement et le filtre à air installés tandis que les valeurs brutes de puissance sont définies sans ces accessoires. La puissance brute réelle du moteur sera supérieure à la puissance nette et est influencée notamment par les conditions ambiantes de fonctionnement et les variations d'un moteur à l'autre. Compte tenu de la grande variété de machines sur lesquelles nos moteurs sont utilisés, il se peut que le moteur à essence ne développe pas sa puissance brute théorique une fois qu'il est monté sur une machine particulière. Cette différence s'explique par un grand nombre de facteurs, tels que (liste non limitative), les accessoires du moteur (filtre à air, échappement, admission, refroidissement, carburateur, pompe à essence, etc.), les limites d'utilisation, les conditions ambiantes d'utilisation (température, humidité, altitude) et les variations d'un moteur à l'autre. Pour des raisons de fabrication et de capacité limitées, Briggs & Stratton est susceptible de remplacer un moteur par une version plus puissante pour ce moteur.

## Sécurité de l'utilisateur

### SYMBOLES DE SÉCURITÉ ET DE COMMANDE



Le symbole d'alerte de sécurité est utilisé pour identifier des informations sur des risques qui peuvent entraîner des blessures. Un mot (DANGER, AVERTISSEMENT, ATTENTION) est utilisé avec le symbole d'alerte pour indiquer le risque de blessure. En outre, un signal de danger peut être utilisé pour représenter le type de risque.

**DANGER** indique un risque qui, s'il n'est pas éliminé, **entraînera la mort ou des blessures très graves.**

**AVERTISSEMENT** indique un risque qui, s'il n'est pas éliminé, **pourrait entraîner la mort ou des blessures très graves.**

**ATTENTION** indique un risque qui, s'il n'est pas éliminé, **pourrait entraîner des blessures mineures ou légères.**

**AVIS** indique une situation qui **pourrait endommager l'appareil.**

**AVERTISSEMENT**  
Certains composants de ce produit et de ses accessoires contiennent des produits chimiques connus dans l'État de Californie pour provoquer des cancers et des troubles de la procréation. Se laver les mains après chaque manipulation.

**AVERTISSEMENT**  
Les gaz d'échappement de ce moteur contiennent des substances chimiques pouvant causer des cancers, des malformations fœtales ou d'autres problèmes de fécondation.

**AVERTISSEMENT**  
Les moteurs Briggs & Stratton ne sont pas conçus et ne doivent pas être utilisés pour alimenter les karts de loisir, les véhicules tout-terrain à destination des enfants ou usage récréatif ou sportif, les motocyclettes, les aéroglisseurs, les aéroplanes ou les véhicules utilisés au cours de compétitions non approuvées par Briggs & Stratton. Pour plus d'informations sur les produits destinés à la compétition, prière de consulter [www.briggsracing.com](http://www.briggsracing.com). Pour une utilisation avec les véhicules tout-terrain utilitaires et biplace côte à côte (SSV), prière de contacter Briggs & Stratton Engine Application Center, 1-866-927-3349. Une application inappropriée du moteur peut entraîner des blessures graves ou mortelles.

**AVIS:** Ce moteur a été expédié par Briggs & Stratton sans huile. Avant de le démarrer, s'assurer d'avoir fait le plein d'huile selon les instructions de ce manuel. Si le moteur est démarré sans huile, il sera endommagé irrémédiablement et ne sera pas couvert par la garantie.



## AVERTISSEMENT



**Le combustible et ses vapeurs sont extrêmement inflammables et explosifs.**



**Un incendie ou une explosion peut entraîner des blessures graves ou même la mort.**

### Pour faire le plein

- Couper le moteur et le laisser refroidir au moins 2 minutes avant d'ouvrir le bouchon du réservoir.
- Remplir le réservoir de carburant à l'extérieur ou dans un local extrêmement bien ventilé.
- Ne pas trop remplir le réservoir. Pour permettre la dilatation du carburant, ne pas remplir plus haut que le bas du col du réservoir.
- Maintenir le carburant à l'écart des étincelles, des flammes directes, des veilleuses, de la chaleur et des autres sources d'étincelles.
- Contrôler que les durites, le réservoir, le bouchon et les raccords de carburant ne présentent ni fissures ni fuites. Remplacer si nécessaire.
- Si du carburant a été renversé, attendre son évaporation complète avant de démarrer le moteur.

### Pour démarrer le moteur

- S'assurer que la bougie, le bouchon du réservoir de carburant et le filtre à air sont le cas échéant montés et solidement fixés.
- Ne pas faire tourner le moteur avec la bougie enlevée.
- Si le moteur est noyé, placer le starter (le cas échéant) sur OPEN/RUN, amener l'accélérateur sur FAST et lancer le moteur jusqu'à ce qu'il démarre.

### Lors de l'utilisation de l'équipement

- Ne pas faire basculer le moteur ou l'équipement au-delà d'un angle qui provoquerait le renversement du carburant.
- Ne pas actionner le starter pour arrêter le moteur.
- Ne pas démarrer ou faire fonctionner un moteur sans filtre à air ou avec le filtre à air enlevé (le cas échéant).

### Vidange d'huile

- Pour vidanger l'huile du tube de remplissage, le réservoir de carburant doit être vide. Le carburant risque sinon de couler et de provoquer un incendie ou une explosion.

### En cas de basculement de l'unité pour l'entretien

- S'il est nécessaire de basculer l'unité au cours de l'entretien, le réservoir de carburant doit être vide, sinon le carburant risque sinon de couler et de provoquer un incendie ou une explosion.

### Pour transporter l'équipement

- Transporter avec le réservoir de carburant VIDE et le robinet de carburant en position FERMÉE.

### Pour stocker du carburant ou l'équipement avec un réservoir plein

- Les ranger loin des chaudières, cuisinières, chauffe-eau ou tout autre appareil comportant une veilleuse ou une source susceptible de produire une étincelle, car ils pourraient enflammer les vapeurs de carburant.



## AVERTISSEMENT



**Le démarrage du moteur produit des étincelles.**



**Les étincelles peuvent enflammer les gaz inflammables à proximité. Ceci pourrait provoquer une explosion ou un incendie.**

- S'il y a une fuite de gaz naturel ou de GPL à proximité, ne pas démarrer le moteur.
- Ne pas utiliser de liquides de démarrage sous pression car leurs vapeurs sont inflammables.



## AVERTISSEMENT



**La rétraction rapide de la corde de lanceur (retour brutal) tirera votre main et votre bras vers le moteur beaucoup plus vite que vous ne pourriez les laisser partir.**

**Ceci pourrait entraîner des fêlures, des fractures, des ecchymoses ou des foulures.**

- Pour démarrer le moteur, tirer lentement sur la corde jusqu'à sentir une résistance et tirer alors rapidement afin d'éviter l'effet de rétraction.
- Retirer tout équipement extérieur/charge avant de démarrer le moteur.
- Les composants directement couplés à l'équipement, tels que lames, turbines, poulies, engrenages, etc. sans que cette liste soit limitative, devront être fermement arrimés.



## AVERTISSEMENT



**RISQUE DE GAZ TOXIQUE.** Les gaz d'échappement du moteur contiennent du monoxyde de carbone, un gaz toxique qui peut tuer en quelques minutes. Ce gaz est INVISIBLE, SANS odeur et SANS goût. Une personne peut être exposée au monoxyde de carbone même si elle ne sent pas de gaz d'échappement. Dès les premiers signes de nausées, étourdissements ou faiblesses en cours d'utilisation, arrêter le produit et sortir IMMÉDIATEMENT à l'air frais. Consulter un médecin. Il peut s'agir d'une intoxication au monoxyde de carbone.

- Faire fonctionner ce produit UNIQUEMENT à l'écart des fenêtres, portes et ventilations afin de réduire le risque que le monoxyde de carbone ne s'accumule et ne pénètre dans les espaces occupés.
- Installer des alarmes de monoxyde de carbone fonctionnant sur piles ou sur secteur avec pile de secours conformément aux instructions du fabricant. Les détecteurs de fumée ne peuvent pas détecter le monoxyde de carbone.
- NE PAS faire fonctionner ce produit à l'intérieur des maisons, garages, caves, vides sanitaires, cabanes ou autres lieux partiellement fermés même si des ventilateurs sont utilisés ou si portes et fenêtres sont ouvertes pour créer une ventilation. Le monoxyde de carbone peut rapidement s'accumuler dans ces espaces et y stagner pendant des heures, même après extinction de ce produit.
- Placer SYSTÉMATIQUEMENT ce produit dans la direction du vent et diriger les gaz d'échappement du moteur à l'écart des espaces occupés.



## AVERTISSEMENT



**Les pièces en rotation peuvent toucher ou saisir les mains, les pieds, les cheveux, les vêtements ou les accessoires.**

**Le résultat peut en être une amputation ou une lacération grave.**

- Ne faire fonctionner l'équipement qu'avec les protections en place.
- Ne pas approcher les mains ou les pieds des pièces en mouvement.
- Attacher les cheveux longs et retirer les bijoux.
- Ne pas porter de vêtements amples, de ceintures larges pendantes ou tout vêtement pouvant être saisi.



## AVERTISSEMENT



**Un moteur en marche produit de la chaleur. Les pièces du moteur, et plus particulièrement le silencieux, deviennent extrêmement chaudes. Les toucher peut provoquer des brûlures sévères.**



**Les débris combustibles comme les feuilles, l'herbe, les broussailles peuvent s'enflammer.**

- Laisser le silencieux, le cylindre du moteur et les ailettes refroidir avant de les toucher.
- Retirer les débris accumulés autour du silencieux et du cylindre.
- La Section 4442 du California Public Resource Code (Code des ressources publiques de Californie) interdit l'utilisation ou le fonctionnement du moteur dans des espaces recouverts de forêts, de broussailles ou d'herbe sauf si le système d'échappement est équipé d'un pare-étincelles, tel que défini dans la Section 4442, en bon état de fonctionnement. D'autres états ou juridictions fédérales peuvent appliquer des lois similaires. Contacter le fabricant, le distributeur ou le fournisseur d'origine de l'équipement pour obtenir un pare-étincelles conçu pour le système d'échappement installé sur ce moteur.



## AVERTISSEMENT



**Une étincelle accidentelle peut provoquer un incendie ou un choc électrique.**



**Un démarrage accidentel peut causer un étranglement, l'amputation ou la lacération d'un membre.**



**Risque d'incendie**

### Avant d'effectuer des réglages ou des réparations

- Débrancher le fil de bougie et l'attacher à bonne distance de la bougie.
- Débrancher le câble Négatif de la batterie (seulement pour les moteurs à démarrage électrique).
- N'utiliser que les outils corrects.
- Ne pas modifier les ressorts du régulateur, les tringles et autres pièces pour augmenter le régime du moteur.
- Les pièces de rechange doivent être strictement identiques et être installées dans la même position que les pièces d'origine. Des pièces autres risquent de ne pas fonctionner aussi bien, d'endommager l'unité et d'entraîner des blessures.
- Ne pas taper sur le volant moteur avec un marteau ou un objet dur cela pourrait entraîner une rupture ultérieure du volant pendant que le moteur fonctionne.

### Contrôle de l'étincelle

- Utiliser un contrôleur homologué.
- Ne pas contrôler l'étincelle avec la bougie retirée.

# Caractéristiques et commandes

Comparer l'illustration **1** avec votre moteur pour vous familiariser avec l'emplacement des différents composants et commandes.

- A. Identification du moteur  
**Modèle Type Code**
- B. Bougie
- C. Filtre à air à dimensions réduites
- D. Jauge à huile
- E. Remplissage d'huile
- F. Filtre à huile
- G. Bouchon de vidange
- H. Capteur de pression d'huile
- I. Grille d'admission d'air
- J. Démarreurs électriques
- K. Solénoïde du démarreur
- L. Régulateur/Redresseur
- M. Pompe d'alimentation
- N. Refroidisseur d'huile (le cas échéant)
- O. Filtre à carburant (le cas échéant)

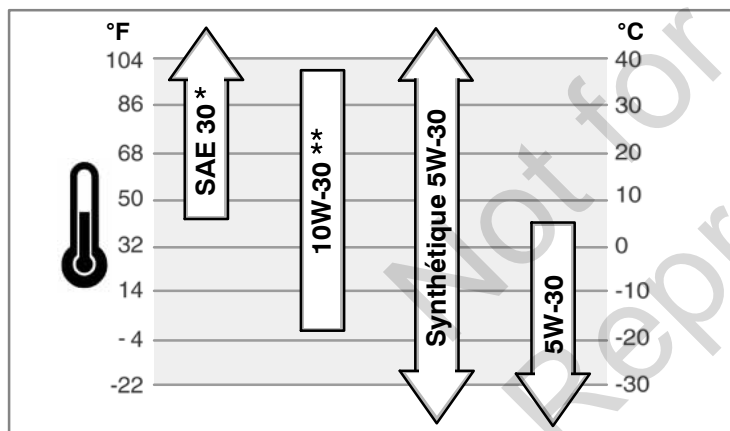
## Fonctionnement

Capacité d'huile (voir la section **Spécifications**)

### Recommandations concernant l'huile

Nous recommandons l'utilisation des huiles certifiées par Briggs & Stratton pour obtenir les meilleures performances. D'autres huiles détergentes de qualité sont acceptables si elles sont classées SF, SG, SH, SJ ou au-delà. Ne pas utiliser d'additifs.

La température extérieure détermine la viscosité de l'huile moteur. Utiliser le tableau pour sélectionner la viscosité qui convient à la température extérieure prévue.



\* L'emploi d'huile SAE 30 au-dessous de 4°C (40°F) rend le démarrage difficile.

\*\* L'utilisation d'une huile 10W-30 à des températures supérieures à 27°C (80°F) entraînera une consommation d'huile supérieure à la normale. Vérifier le niveau d'huile plus souvent.

### Vérification/Plein d'huile - Figure 2

Avant de vérifier ou de faire le plein d'huile

- Mettre le moteur de niveau.
  - Nettoyer le pourtour de l'orifice de remplissage de tout débris.
1. Sortir la jauge (A) et la nettoyer avec un chiffon propre (Figure 2).
  2. Mettre la jauge et la serrer.
  3. Retirer la jauge et vérifier le niveau. L'huile doit être au ras de l'indicateur de niveau maximum (B) de la jauge.
  4. S'il est bas, verser doucement de l'huile dans l'orifice de remplissage du moteur (C). **Ne pas trop remplir.** Après avoir ajouté de l'huile, attendre une minute et revérifier le niveau d'huile.
  5. Remettre la jauge et la serrer.

### Système de détection de niveau d'huile bas (le cas échéant)

Certains moteurs sont équipés d'un capteur de niveau d'huile bas. Si le niveau d'huile est bas, le capteur active un témoin lumineux ou arrête le moteur. Éteindre le moteur et suivre les étapes suivantes avant de redémarrer le moteur.

- S'assurer que le moteur est horizontal.

- Vérifier le niveau d'huile. Voir la section **Vérification/Plein d'huile**.
- Si le niveau d'huile est bas, ajouter la quantité d'huile adéquate. Démarrer le moteur et s'assurer que le témoin lumineux (le cas échéant) n'est pas allumé.
- Si le niveau d'huile n'est pas bas, **ne pas démarrer** le moteur. Contacter un Réparateur Agréé Briggs & Stratton pour corriger le problème lié à l'huile.

### Recommandations concernant le carburant

Le carburant doit répondre aux critères suivants:

- Essence récente, propre, sans plomb.
- Un indice minimum d'Octane de 87/87 AKI (91 RON). En cas d'utilisation en altitude, voir ci-après.
- L'essence contenant jusqu'à 10 % d'éthanol (bioéthanol) est acceptable.

**ATTENTION:** ne pas utiliser d'essence non approuvée, comme la E15 et la E85. Ne pas mélanger d'huile à l'essence ni modifier le moteur pour fonctionner avec des carburants alternatifs. L'utilisation de carburants non autorisés endommagera les éléments du moteur et ne sera pas couverte par la garantie.

Pour protéger le système d'admission d'essence contre la formation de gomme, mélanger un stabilisateur à l'essence. Voir le **stockage**. Tous les carburants ne sont pas les mêmes. En cas de difficultés à démarrer ou de problèmes de fonctionnement, changer de fournisseur ou de marque d'essence. Ce moteur est certifié pour fonctionner à l'essence. Le système de contrôle des émissions de ce moteur est EM (Modifications Moteur).

### Haute altitude

À des altitudes supérieures à 1524mètres, une essence ayant un indice minimum de 85 octane/85 AKI (89 RON) est acceptable. Pour rester conforme aux normes d'émissions, un réglage pour haute altitude est nécessaire. Le fonctionnement sans effectuer ce réglage entraîne une réduction de la performance et une augmentation de la consommation d'essence et des émissions. Consulter un Réparateur Agréé Briggs & Stratton pour plus d'informations sur le réglage pour haute altitude.

Le fonctionnement du moteur à une altitude inférieure à 762mètres avec le réglage haute altitude n'est pas recommandé.

### Plein d'essence - Figure 3



#### AVERTISSEMENT



Le combustible et ses vapeurs sont extrêmement inflammables et explosifs.



Un incendie ou une explosion peut entraîner des blessures très graves ou même la mort.

#### Pour faire le plein

- Couper le moteur et le laisser refroidir au moins 2 minutes avant d'ouvrir le bouchon du réservoir.
- Remplir le réservoir de carburant à l'extérieur ou dans un local extrêmement bien ventilé.
- Ne pas trop remplir le réservoir. Pour permettre la dilatation du carburant, ne pas remplir plus haut que le bas du col du réservoir.
- Maintenir le carburant à l'écart des étincelles, des flammes directes, des veilleuses, de la chaleur et des autres sources d'étincelles.
- Contrôler que les durites, le réservoir, le bouchon et les raccords de carburant ne présentent ni fissures ni fuites. Remplacer si nécessaire.
- Si du carburant a été renversé, attendre son évaporation complète avant de démarrer le moteur.

1. Nettoyer le pourtour du bouchon d'essence de la poussière et des débris. Enlever le bouchon d'essence (A, Figure 3).
2. Faire le plein (B) de carburant. Pour permettre la dilatation du carburant, ne pas remplir au-delà du bas du col de remplissage (C).
3. Remettre le bouchon du réservoir en place.

### Démarrage du moteur - Figure 4



#### AVERTISSEMENT



Le combustible et ses vapeurs sont extrêmement inflammables et explosifs.



Un incendie ou une explosion peut entraîner des blessures très graves ou même la mort.

#### Pour démarrer le moteur

- S'assurer que la bougie, le bouchon du réservoir de carburant et le filtre à air sont le cas échéant montés et solidement fixés.
- Ne pas faire tourner le moteur avec la bougie enlevée.
- Si le moteur est noyé, placer le starter (le cas échéant) sur OPEN/RUN, amener l'accélérateur sur FAST et lancer le moteur jusqu'à ce qu'il démarre.



## AVERTISSEMENT



**RISQUE DE GAZ TOXIQUE.** Les gaz d'échappement du moteur contiennent du monoxyde de carbone, un gaz toxique qui peut tuer en quelques minutes. Ce gaz est INVISIBLE, SANS odeur et SANS goût. Une personne peut être exposée au monoxyde de carbone même si elle ne sent pas de gaz d'échappement. Dès les premiers signes de nausées, étourdissements ou faiblesses en cours d'utilisation, arrêtez le produit et sortez IMMÉDIATEMENT à l'air frais. Consultez un médecin. Il peut s'agir d'une intoxication au monoxyde de carbone.

- Faire fonctionner ce produit UNIQUEMENT à l'écart des fenêtres, portes et ventilations afin de réduire le risque que le monoxyde de carbone ne s'accumule et ne pénètre dans les espaces occupés.
- Installer des alarmes de monoxyde de carbone fonctionnant sur piles ou sur secteur avec pile de secours conformément aux instructions du fabricant. Les détecteurs de fumée ne peuvent pas détecter le monoxyde de carbone.
- NE PAS faire fonctionner ce produit à l'intérieur des maisons, garages, caves, vides sanitaires, cabanes ou autres lieux partiellement fermés même si des ventilateurs sont utilisés ou si portes et fenêtres sont ouvertes pour créer une ventilation. Le monoxyde de carbone peut rapidement s'accumuler dans ces espaces et y stagner pendant des heures, même après extinction de ce produit.
- Placer SYSTÉMATIQUEMENT ce produit dans la direction du vent et diriger les gaz d'échappement du moteur à l'écart des espaces occupés.

**AVIS:** Ce moteur a été expédié de chez Briggs & Stratton sans huile. Avant de le démarrer, s'assurer d'avoir fait le plein d'huile selon les instructions de ce manuel. Si le moteur est démarré sans huile, il sera endommagé irrémédiablement et ne sera pas couvert par la garantie.

## Déterminer le système de démarrage

Avant de démarrer le moteur, il convient de déterminer le type de démarrage installé sur le moteur. Voici les différents types de démarrage:

- **Système d'injection électronique (EFI)** : ce moteur dispose d'une injection électronique; il n'a pas de starter manuel.
- **Système de starter:** ce moteur comprend un starter utilisé pour le démarrage à basse température. Certains modèles sont équipés d'une commande de starter séparée alors que d'autres sont équipés d'une combinaison starter/commande d'accélérateur. Ce type de moteur ne comporte pas de poire d'amorçage.

Pour démarrer le moteur, suivre les instructions correspondant au type de système de démarrage.




*Remarque:* Certains moteurs et équipements disposent de commandes à distance et de dispositifs de sécurité. Avant de démarrer le moteur, consulter le manuel de l'équipement concernant l'emplacement et le fonctionnement de ces commandes et dispositifs.


## Système d'injection électronique (EFI) - Figure 4

1. Vérifier le niveau d'huile. Voir la section **Vérification/Plein d'huile**.
  2. Vérifier que les commandes d'entraînement de l'équipement sont, le cas échéant, débrayées.
  3. Placer la commande d'accélération sur la position SLOW.
  4. Placer le contact du démarreur électrique (D, Figure 4) sur la position ON/start.
- REMARQUE:* Si le moteur ne démarre pas après plusieurs tentatives, contacter le représentant local ou consulter Briggs & Stratton or call **1-800-999-9333** (aux États-Unis).


**AVIS:** pour préserver l'usage du démarreur, ne l'utiliser que pendant des cycles courts (cinq secondes maximum). Attendre une minute avant de recommencer.

## Système de starter - Figure 4

1. Vérifier le niveau d'huile. Voir la section **Vérification/Plein d'huile**.
2. Le cas échéant, s'assurer que l'entraînement de l'équipement est débrayé.
3. Placer l'éventuel robinet d'essence (A, Figure 4) sur la position ON.
4. Placer la commande d'accélération sur la position  FAST. Activer le moteur sur la position  FAST.
5. Placer la commande du starter (C) sur la position STARTER .

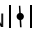
*Remarque:* Pour démarrer un moteur dont le circuit de carburant est sec (premier démarrage ou suite à une panne d'essence), prévoir impérativement un temps de mise en route supplémentaire en position CHOKE . Ainsi, la pompe à carburant aura le temps d'amorcer le circuit de carburant.

6. Mettre le contact du démarreur électrique (D) sur la position ON/START (Figure 4).

7. Si le moteur démarre mais cesse de fonctionner, placer la commande du starter (C) en position RUN  pour démarrer le moteur.

**AVIS:** Pour préserver l'usage du démarreur, ne l'utiliser que pendant des cycles courts (cinq secondes maximum). Attendre une minute avant de recommencer.

*Remarque :* Si le moteur ne démarre pas après plusieurs tentatives, consulter le site **VanguardEngines.com** ou appeler le **1-800-999-9333** (aux États-Unis).

8. Au fur et à mesure du réchauffement du moteur, ramener la commande du starter (C) sur la position RUN .

## Arrêt du moteur - Figure 4



### AVERTISSEMENT



**Le combustible et ses vapeurs sont extrêmement inflammables et explosifs.**



**Un incendie ou une explosion peut entraîner des blessures très graves ou même la mort.**

- Ne pas utiliser le starter, le cas échéant, pour arrêter le moteur.

1. Placer la commande d'accélération sur la position SLOW, tourner le contacteur à clé (D, Figure 4) sur la position OFF. Retirer la clé et la conserver dans un endroit sûr hors de la portée des enfants.
2. Quand le moteur est arrêté, mettre l'éventuel robinet d'essence (A) en position fermée.

## Entretien

Il est recommandé de consulter un Réparateur Agréé Briggs & Stratton pour tout l'entretien du moteur et l'acquisition de pièces.

**AVIS:** Tous les composants de ce moteur doivent rester à leur place d'origine pour que le moteur fonctionne correctement.



**AVERTISSEMENT:** S'il est nécessaire de basculer l'unité au cours de l'entretien, le réservoir de carburant doit être vide, sinon le carburant risque sinon de couler et de provoquer un incendie ou une explosion.

## Contrôle des émissions

**L'entretien, le remplacement ou la réparation des dispositifs et des systèmes de contrôle des émissions peuvent être effectués par tout établissement ou individu spécialisé dans la réparation des moteurs autres que les moteurs automobiles.** Néanmoins, pour que les réparations ne soient pas facturées, les travaux doivent être effectués par un Réparateur Agréé. Voir la garantie des émissions.



### AVERTISSEMENT



**Une étincelle accidentelle peut provoquer un incendie ou un choc électrique.**



**Un démarrage accidentel peut causer un étranglement, l'amputation ou la lacération d'un membre.**



**Risque d'incendie**

### Avant d'effectuer des réglages ou des réparations

- Débrancher le fil de bougie et l'attacher à bonne distance de la bougie.
- Débrancher le câble Négatif de la batterie (seulement pour les moteurs à démarrage électrique).
- N'utiliser que les outils corrects.
- Ne pas modifier les ressorts du régulateur, les tringles et autres pièces pour augmenter le régime du moteur.
- Les pièces de rechange doivent être strictement identiques et être installées dans la même position que les pièces d'origine. Des pièces autres risquent de ne pas fonctionner aussi bien, d'endommager l'unité et d'entraîner des blessures.
- Ne pas taper sur le volant moteur avec un marteau ou un objet dur cela pourrait entraîner une rupture ultérieure du volant pendant que le moteur fonctionne.

### Contrôle de l'étincelle

- Utiliser un contrôleur homologué.
- Ne pas contrôler l'étincelle avec la bougie retirée.

## Tableau d'entretien

Toutes les 8 heures ou chaque jour
<ul style="list-style-type: none"><li>Vérifier le niveau d'huile du moteur.</li><li>Nettoyer aux alentours du silencieux et des commandes</li></ul>
Toutes les 100 heures ou une fois par an
<ul style="list-style-type: none"><li>Nettoyer ou changer le filtre à air *</li><li>Vidanger l'huile moteur</li><li>Nettoyer le pré-filtre (le cas échéant) *</li><li>Remplacer la bougie</li><li>Inspecter le silencieux d'échappement et l'écran pare-étincelles</li></ul>
Toutes les 250 heures ou une fois par an
<ul style="list-style-type: none"><li>Contrôler le jeu des soupapes. Régler si nécessaire.</li></ul>
Toutes les 400 heures ou une fois par an
<ul style="list-style-type: none"><li>Changer le filtre à air</li><li>Remplacer le filtre à carburant</li><li>Nettoyer le système de refroidissement par air *</li><li>Nettoyer les ailettes du refroidisseur d'huile *</li></ul>
Toutes les 600 heures ou une fois par an
<ul style="list-style-type: none"><li>Changer le filtre de protection (le cas échéant)</li></ul>

\* Nettoyer plus souvent dans des conditions d'utilisation en atmosphère poussiéreuse ou chargée de débris aériens.

## Système d'injection électronique (EFI)

Le système EFI surveille la température et la vitesse du moteur ainsi que la tension de la batterie pour le démarrage et la montée en température du moteur. Il ne comporte aucun ajustement. En présence de problèmes de démarrage ou de fonctionnement, contacter un Réparateur Agréé Briggs & Stratton.

**AVIS:** veiller à respecter les étapes ci-dessous afin de ne pas endommager le système EFI.

- Ne jamais démarrer le moteur si les câbles de la batterie sont desserrés.
- Tourner la clé jusqu'à la position OFF avant de débrancher, déposer ou installer la batterie.
- Ne jamais utiliser un chargeur de batterie pour démarrer le moteur.
- Ne jamais débrancher les câbles de batterie lorsque le moteur est en cours de fonctionnement.
- Lors du branchement des câbles de la batterie, raccorder d'abord le câble positif (+) puis le câble négatif (-).
- Lors de la charge de la batterie, placer le contacteur de démarrage sur la position OFF et débrancher le câble négatif (-) de la batterie.
- Ne pas pulvériser d'eau directement sur l'unité de commande électronique.

## Réglage du carburateur et du régime moteur

Ne jamais procéder aux ajustements du carburateur ou du régime. Le carburateur a été réglé en usine pour fonctionner de manière efficace dans la plupart des conditions. Ne pas modifier les ressorts du régulateur, les tringles et autres pièces pour augmenter le régime du moteur. Si des ajustements sont nécessaires, contacter un Réparateur Agréé Briggs & Stratton.

**AVIS:** le fabricant de l'équipement spécifie la vitesse maximum pour le moteur tel qu'installé sur l'équipement. **Ne pas dépasser** cette vitesse. En cas de doute concernant la vitesse maximum de l'équipement ou le régime moteur réglé en usine, contacter un Réparateur Agréé Briggs & Stratton pour obtenir de l'aide. Pour un fonctionnement sûr et approprié de l'équipement, le régime moteur ne doit être ajusté que par un technicien de service qualifié.

## Remplacement de la bougie - Figure 5

Vérifier l'écartement des électrodes (A, Figure 5) avec une jauge à fil (B). Le cas échéant, régler l'écartement. Remettre la bougie et la serrer au couple recommandé. Pour régler l'écartement et trouver le couple de serrage, voir la section **Spécifications**.

**Remarque:** Dans certains pays, la législation impose l'emploi de bougies à résistance pour supprimer les parasites de l'allumage. Si ce moteur était équipé d'une bougie avec résistance, utiliser le même type de bougie lors de son remplacement.

## Inspecter le silencieux et le pare-étincelles - Figure 6



### AVERTISSEMENT



Un moteur en marche produit de la chaleur. Les pièces du moteur, et plus particulièrement le silencieux, deviennent extrêmement chaudes. Les toucher peut provoquer des brûlures sévères.



Les débris combustibles comme les feuilles, l'herbe, les broussailles peuvent s'enflammer.

- Laisser le silencieux, le cylindre du moteur et les ailettes refroidir avant de les toucher.
- Retirer les débris accumulés autour du silencieux et du cylindre.
- La Section 4442 du California Public Resource Code (Code des ressources publiques de Californie) interdit l'utilisation ou le fonctionnement du moteur dans des espaces recouverts de forêts, de broussailles ou d'herbe sauf si le système d'échappement est équipé d'un pare-étincelles, tel que défini dans la Section 4442, en bon état de fonctionnement. D'autres états ou juridictions fédérales peuvent appliquer des lois similaires. Contacter le fabricant, le distributeur ou le fournisseur d'origine de l'équipement pour obtenir un pare-étincelles conçu pour le système d'échappement installé sur ce moteur.

Retirer les débris accumulés autour du silencieux et du cylindre. Inspecter le silencieux (A, Figure 6) à la recherche de fissures, de corrosion ou autre dommage. Enlever le pare-étincelles (B), le cas échéant, et inspecter s'il est endommagé ou obstrué par des dépôts de carbone. En présence de pièces endommagées, les remplacer avant toute utilisation.



**AVERTISSEMENT:** Les pièces de rechange doivent être strictement identiques et être installées dans la même position que les pièces d'origine. Des pièces autres risquent de ne pas fonctionner aussi bien, d'endommager l'unité et d'entraîner des blessures.

## Changement d'huile - Figure 7

L'huile usagée est un produit dangereux. S'en débarrasser correctement. Ne pas la jeter avec les ordures ménagères. Vérifier le lieu de collecte ou de recyclage avec les autorités locales, le centre de services ou le vendeur.

### Vidange de l'huile

- Quand le moteur est arrêté mais encore chaud, débrancher le fil de bougie (A) et l'éloigner de la bougie (Figure 7).
- Retirer le bouchon de vidange d'huile (B). Vidanger l'huile du moteur dans un récipient approuvé.
- Quand l'huile a été vidangée, remettre le bouchon de vidange. Le serrer.

### Changer le filtre à huile

Tous les modèles sont équipés d'un filtre à huile. Pour connaître les intervalles de maintenance, se reporter au **Tableau d'entretien**.

- Vidanger l'huile du moteur. Voir la section **Vidange de l'huile**.
- Déposer le filtre à huile (C, Figure 7) et le jeter correctement.
- Avant d'installer le nouveau filtre à huile, lubrifier légèrement le filtre avec de l'huile neuve.
- Installer le filtre à huile à la main jusqu'à ce que le joint soit au contact de l'adaptateur du filtre puis visser le filtre de 1/2 à 3/4 tours.
- Ajouter de l'huile. Voir la section **Faire le plein d'huile**.
- Démarrer puis faire tourner le moteur. Lorsque le moteur chauffe, détecter les éventuelles fuites d'huile.
- Arrêter le moteur et vérifier le niveau d'huile. L'huile doit être au ras de l'indicateur de niveau maximum (F) de la jauge.

### Faire le plein d'huile

- Mettre le moteur de niveau.
  - Nettoyer le pourtour de l'orifice de remplissage de tout débris.
  - Voir la capacité d'huile dans la section **Spécifications**.
- Sortir la jauge (D, Figure 7) et la nettoyer avec un chiffon propre.
  - Verser doucement l'huile dans l'orifice de remplissage (E). **Ne pas trop remplir.** Après avoir fait le plein d'huile, attendre une minute et revérifier le niveau d'huile.
  - Remettre la jauge et la visser.
  - Retirer la jauge et vérifier le niveau. L'huile doit être au ras de l'indicateur de niveau maximum (F) de la jauge.
  - Remettre la jauge et la visser.

## Entretien du filtre à air - Figure 8



### AVERTISSEMENT



L'essence et les vapeurs d'essence sont extrêmement inflammables et explosives.



Un incendie ou une explosion peut entraîner des blessures très graves ou même la mort.

- Ne pas démarrer ou faire fonctionner un moteur sans filtre à air ou avec le filtre à air enlevé.



**AVIS:** Ne pas utiliser d'air comprimé ni de solvant pour nettoyer le filtre à air. L'air comprimé peut endommager le filtre, les solvants le dissoudre.

Se reporter au **Tableau d'entretien** pour connaître les conditions de service.

#### Système de filtre à air à dimensions réduites

1. Déposer l'écrou papillon (F) et le couvercle (G). Voir Figure 8.
2. Déposer l'écrou (H) et le support (J).
3. Déposer le filtre à air (K).
4. Retirer le pré-filtre (L), le cas échéant, du filtre à air.
5. Pour le nettoyer, le tapoter doucement contre une surface dure. Si le filtre à air est excessivement encrassé, le remplacer par un neuf.
6. Nettoyer le pré-filtre dans de l'eau additionnée de détergent liquide. **Ne pas graisser** le pré-filtre.
7. Assembler le pré-filtre sec sur le filtre à air.
8. Installer le filtre à air et le fixer avec un support et un écrou.
9. Remonter le couvercle et le fixer avec les écrous papillon.

#### Nettoyage du système de refroidissement par air - Figure 9



#### AVERTISSEMENT



**Le combustible et ses vapeurs sont extrêmement inflammables et explosifs.**



**Un incendie ou une explosion peut entraîner des blessures très graves ou même la mort.**

- Ne pas démarrer ou faire fonctionner un moteur sans filtre à air ou avec le filtre à air enlevé (le cas échéant).

**AVIS:** Ne pas utiliser d'eau pour nettoyer le moteur. L'eau peut contaminer le système d'alimentation en essence. Utiliser une brosse ou un chiffon sec pour nettoyer le moteur.

Ce moteur est refroidi par air. De la poussière ou des débris peuvent affecter le débit d'air et faire chauffer le moteur, ce qui réduit ses performances et sa durée de vie. Utiliser une brosse ou un chiffon sec pour enlever les débris de la zone d'admission d'air (A, Figure 9). Nettoyer les bielles, les ressorts et les commandes (B). Ne pas laisser les débris combustibles s'accumuler autour et derrière le silencieux d'échappement (C). Vérifier que les ailettes du refroidisseur d'huile (D) sont exemptes de saletés et de débris.

#### Remplacer le filtre à carburant - Figure 10



#### AVERTISSEMENT



**Le combustible et ses vapeurs sont extrêmement inflammables et explosifs.**



**Un incendie ou une explosion peut entraîner des blessures très graves ou même la mort.**

- Maintenir le carburant à l'écart des étincelles, des flammes directes, des veilleuses, de la chaleur et des autres sources d'étincelles.
- Contrôler que les Durits, le réservoir, le bouchon et les raccords de carburant ne présentent ni fissures ni fuites. Remplacer si nécessaire.
- Avant de nettoyer ou de remplacer le filtre à carburant, vidanger le réservoir d'essence ou fermer le robinet d'essence.
- Les pièces de rechange doivent être d'origine et installées de la même façon que les pièces précédentes.
- Si du carburant a été renversé, attendre son évaporation complète avant de démarrer le moteur.

1. Avant de remplacer le filtre à carburant (A, Figure 10), s'il existe, vidanger le réservoir de carburant ou fermer le robinet d'essence. Dans le cas contraire, le carburant risque de couler et de provoquer un incendie ou une explosion.
2. Utiliser des pinces pour serrer les languettes (B) sur les agrafes (C) puis retirer les agrafes du filtre à carburant. Tourner puis ôter les Durits (D) du filtre à carburant.
3. Vérifier que les Durits ne présentent ni fissures ni fuites. Les remplacer si nécessaire.
4. Remplacer le filtre à carburant par un filtre d'origine.
5. Fixer les Durits avec les agrafes comme indiqué.

#### Stockage



#### AVERTISSEMENT



**Le combustible et ses vapeurs sont extrêmement inflammables et explosifs.**



**Un incendie ou une explosion peut entraîner des blessures très graves ou même la mort.**

#### Pour stocker du carburant ou l'équipement avec un réservoir plein

- Les ranger loin des chaudières, cuisinières, chauffe-eau ou tout autre appareil comportant une veilleuse ou une source susceptible de produire une étincelle, car ils pourraient enflammer les vapeurs de carburant.

#### Système d'alimentation

L'essence peut s'éventer lorsqu'elle est conservée plus de 30 jours. L'essence périmée provoque la formation de dépôts d'acide et de gomme dans le système d'alimentation ou sur des pièces essentielles du carburateur. Pour maintenir l'essence propre, utiliser la **formule avancée de stabilisation et de traitement de l'essence de Briggs & Stratton** disponible dans tous les points de vente des pièces de rechange Briggs & Stratton d'origine.

Il n'est pas nécessaire de vidanger l'essence du moteur si un stabilisateur est ajouté conformément aux instructions. Faire fonctionner le moteur pendant 2 minutes pour faire circuler le stabilisateur dans le système d'alimentation avant le remisage.

Si l'essence n'a pas été traitée avec un stabilisateur, elle doit être vidangée dans un récipient approuvé. Faire fonctionner le moteur jusqu'à ce qu'il s'arrête en panne sèche. L'utilisation d'un stabilisateur d'essence dans le réservoir de stockage est recommandée pour en conserver la fraîcheur.

#### Huile moteur

Pendant que le moteur est encore chaud, changer l'huile du moteur.

#### Dépannage

Besoin d'aide? Aller sur [VanguardEngines.com](http://VanguardEngines.com) ou appeler **1-800-999-9333** (aux États-Unis).

## Spécifications

#### Spécifications du moteur

Modèle	613700, 61E900
Cylindrée	60,60 ci (993 cc)
Alésage	3,366 in (85,5 mm)
Course	3,406 in (77,21 mm)
Capacité d'huile	78 - 80 oz (2,3 - 2,4 L)

#### Spécifications de réglage \*

Modèle	613700, 61E900
Écartement des électrodes	0,030 in (0,76 mm)
Couple de serrage de la bougie	180 lb-in (20 Nm)
Entrefer bobine - Modèles de carburateur	0,005 - 0,008 in (0,13 - 0,20 mm)
Jeu de soupape d'admission	0,004 - 0,006 in (0,10 - 0,15 mm)
Jeu de soupape d'échappement	0,007 - 0,009 pouces (0,18 - 0,23 mm)

\* La puissance du moteur décroît de 3,5% par 300 mètres d'altitude au-dessus du niveau de la mer et de 1% par 5,6° C au-delà de 25° C. Le moteur fonctionne normalement jusqu'à 15° d'inclinaison. Voir le manuel d'utilisation de l'équipement pour les limites autorisées de fonctionnement en pente.

#### Pièces d'entretien courant

Pièce d'entretien	Référence
Filtre à air à dimensions réduites	692519
Pré-filtre à dimensions réduites	692520
Huile - SAE 30	100028
Filtre à huile	842921
Filtre à carburant	845125
Formule avancée de stabilisation et de traitement de l'essence	5442
Bougie à résistance	491055
Bougie en platine longue durée	5066
Clé à bougie	19374
Éclateur	19368

✓ Nous recommandons de voir un Réparateur Agréé Briggs & Stratton pour tout l'entretien du moteur et de ses pièces.

## GARANTIE LIMITÉE

Briggs & Stratton garantit que, pendant la période de garantie spécifiée ci-dessous, il remplacera ou réparera gratuitement toute pièce du moteur présentant un défaut de matière ou de fabrication ou les deux. Tous les frais de transport du produit destiné à être remplacé ou réparé au titre de la présente garantie restent à charge de l'acheteur. Cette garantie est applicable pendant la période et aux conditions prévues dans le présent document. Pour toute intervention sous garantie, cherchez le Réparateur Agréé Briggs & Stratton le plus proche dans la liste des Réparateurs Agréés sur notre site Internet BRIGGSandSTRATTON.COM. L'acheteur doit contacter le Réparateur Agréé puis mettre le moteur ou le produit à sa disposition pour inspection et essais.

**Il n'existe aucune autre garantie expresse. Les garanties implicites, y compris celles de la valeur marchande et d'adaptation à un objectif particulier, sont limitées à la période de garantie mentionnée ci-dessous ou à la période légale admise. Notre responsabilité pour les dégâts provoqués par l'équipement ou les dommages et intérêts accessoires est exclue dans la limite des exclusions autorisées par la loi.** Certains pays ou États n'autorisent pas la limitation de la durée de la garantie implicite et certains pays ou États n'autorisent pas l'exclusion ou la limitation des dégâts provoqués ou consécutifs à un accident, ce qui fait que les limitation et exclusion ci-dessus peuvent ne pas s'appliquer à vous. Cette garantie vous donne des droits légaux et vous pouvez bénéficier d'autres droits qui peuvent varier d'un pays à l'autre ou d'un État à l'autre. \*\*

## CONDITIONS DE GARANTIE STANDARD \* ▲

Marque/Type de produit	Usage privé	Usage professionnel
Vanguard™ ■	3 ans	3 ans
Commercial Turf Series™	2 ans	2 ans
Moteurs avec chemise en fonte Dura-Bore™	2 ans	1 an
Tous les autres moteurs Briggs & Stratton	2 ans	90 jours

\* Ces conditions sont nos conditions de garantie standard. Néanmoins, dans certains cas, nos produits peuvent bénéficier d'une couverture supplémentaire qui n'était pas déterminée au moment de la publication. Pour consulter les conditions de garantie actuelles de votre moteur, rendez-vous sur BRIGGSandSTRATTON.COM ou contactez le Réparateur Agréé Briggs & Stratton.

\*\* En Australie - Nos produits disposent de garanties qui ne peuvent être exclues dans le cadre du droit de la consommation australien. Vous êtes en droit de bénéficier d'un remplacement ou d'un remboursement pour une défaillance majeure, ou d'un dédommagement pour toute autre perte ou tout autre dommage raisonnablement prévisible. Vous êtes aussi en droit de bénéficier de la réparation ou du remplacement des produits si ceux-ci s'avèrent ne pas être de qualité acceptable et si la défaillance n'est pas majeure. Pour toute intervention sous garantie, cherchez le Réparateur Agréé Briggs & Stratton le plus proche en consultant la liste des Réparateurs sur BRIGGSandSTRATTON.COM, en composant le 1300 274 447, en envoyant un message électronique à salesenquiries@briggsandstratton.com.au, ou en écrivant directement à Briggs & Stratton Australia Pty Ltd, 1 Moorebank Avenue, Moorebank, NSW, Australie, 2170.

▲ Aucune garantie ne s'applique pour les moteurs d'équipements utilisés pour une alimentation principale en remplacement du réseau public d'électricité ou pour les groupes électrogènes stationnaires utilisés à des fins commerciales. Les moteurs utilisés en compétition ou dans un but d'exploitation commerciale ou de location ne sont pas garantis.

■ Vanguard installés sur les groupes électrogènes stationnaires: 2ans de garantie en usage privé, pas de garantie en usage professionnel. Vanguard installés sur des véhicules utilitaires: 2ans de garantie en usage privé, 2ans de garantie en usage professionnel. Vanguard 3cylindres refroidis à eau: consulter l'application de la garantie sur les moteurs Briggs & Stratton 3/LC.

La période de garantie débute à la date d'achat par le premier acheteur de détail ou par le premier utilisateur commercial final. Par «usage privé», on entend une utilisation personnelle résidentielle par l'acheteur de détail. Par «usage professionnel», on entend toute autre utilisation, y compris à des fins commerciales, donnant lieu à rémunération ou location. Dès la première exploitation du moteur en usage professionnel, il est réputé être définitivement un moteur à usage professionnel au titre de la présente garantie.

**Conserver le reçu comme preuve d'achat. Si, lors d'une demande d'intervention sous garantie, la date initiale d'achat ne peut être fournie, la date de fabrication du produit servira de référence pour déterminer la période de garantie. L'enregistrement des produits n'est pas obligatoire pour que la garantie prenne effet pour les produits Briggs & Stratton.**

## Au sujet de la garantie

Cette garantie limitée couvre uniquement les pièces défectueuses du moteur et/ou la main-d'œuvre associée, et non le remplacement ou le remboursement de l'équipement sur lequel est monté le moteur. La maintenance régulière, les réglages, les mises au point ou l'usure normale ne sont pas couverts par cette garantie. De même, la garantie ne s'applique pas si le moteur a été altéré ou modifié ou si le numéro de série du moteur a été dégradé ou effacé. Cette garantie n'inclut pas les équipements ou les moteurs usagés, reconditionnés, de seconde main ou de démonstration. Cette garantie ne couvre pas les dégâts ou les problèmes de performance du moteur causés par:

- 1 l'emploi de pièces non d'origine Briggs & Stratton;
- 2 l'utilisation du moteur avec de l'huile en quantité insuffisante, contaminée ou d'un grade de lubrification inadéquat;
- 3 l'utilisation de carburant contaminé ou trop vieux, d'essence formulée avec de l'éthanol à plus de 10% ou l'utilisation de carburants alternatifs comme le gaz naturel ou le gaz de pétrole liquéfié sur des moteurs non conçus/fabriqués à l'origine par Briggs & Stratton pour fonctionner avec de tels carburants;
- 4 la saleté qui a pénétré dans le moteur en raison d'une maintenance ou d'un remplacement inadéquat du filtre à air;

- 5 un choc de la lame d'une tondeuse rotative sur un corps dur, des adaptateurs de lames, des turbines ou d'autres dispositifs raccordés au vilebrequin mal installés ou desserrés, ou une courroie trapézoïdale trop tendue;
- 6 des pièces associées ou des ensembles tels que les embrayages, transmissions, commandes d'équipement, etc., qui ne sont pas fournis par Briggs & Stratton;
- 7 une surchauffe due à des résidus d'herbe, de la saleté et des débris ou des nids de rongeurs qui bouchent ou obstruent les ailettes de refroidissement ou la zone du volant, ou due à un fonctionnement du moteur sans ventilation suffisante;
- 8 une vibration excessive provoquée par un sursrégime, un serrage insuffisant des boulons de fixation du moteur, des lames ou des turbines desserrées ou mal équilibrées, un mauvais raccordement des composants de l'équipement au vilebrequin;
- 9 un abus, un manque d'entretien courant, l'expédition, la manutention ou l'entreposage de l'équipement ou une mauvaise installation du moteur.

**Les interventions sous garantie ne sont effectuées que par les Réparateurs Agréés par Briggs & Stratton Corporation. Recherchez-les dans la liste des Réparateurs sur notre site Internet BRIGGSandSTRATTON.COM ou en appelant le 1-800-233-3723 (aux États-Unis).**

## Déclaration de garantie du système de contrôle des émissions de l'U.S. EPA et de Briggs & Stratton Corporation Droits et obligations du propriétaire au titre de la garantie

U.S. EPA et Briggs & Stratton (B&S) ont le plaisir de vous expliquer la garantie du système de contrôle des émissions pour votre moteur/équipement fabriqué 2015-2017. B&S doit garantir le système de contrôle des émissions de votre moteur/équipement pendant les durées indiquées ci-après, en supposant que le moteur/équipement n'ait pas fait l'objet d'abus, de négligence ou d'un mauvais entretien.

Votre système de régulation des émissions d'échappement peut comporter des pièces telles que le carburateur, le système d'injection de carburant, le système d'allumage et le convertisseur catalytique. Peuvent également être inclus des durits, des courroies, des raccords, des capteurs et d'autres composants liés aux émissions. Votre système de régulation des émissions par évaporation peut inclure des pièces telles que: carburateurs, réservoirs de carburant, canalisations de carburant, bouchons de remplissage de carburant, vannes, absorbeurs de gaz, filtres, durits de vapeur, colliers, raccords et autres composants associés.

Si la condition de garantie est remplie, B&S réparera gratuitement votre moteur/équipement y compris le diagnostic, les pièces et la main-d'œuvre.

### Couverture de la garantie du fabricant:

Les moteurs de bateaux sont garantis pendant une période de cinq (5) ans ou de 175 heures, quelle que soit la première à terme. Si une pièce liée aux émissions de votre moteur/matériel est défectueuse, B&S la réparera ou la remplacera.

### Responsabilités du propriétaire au titre de la garantie:

- En tant que propriétaire d'un moteur/équipement, vous êtes responsable de l'entretien nécessaire indiqué dans le manuel de l'opérateur. B&S recommande de conserver toutes les factures de maintenance de votre moteur/équipement mais B&S ne peut renier la garantie uniquement à cause de l'absence de factures ou parce que tous les entretiens n'ont pas été effectués en temps prévu.
- En tant que propriétaire d'un moteur/équipement, vous devez néanmoins savoir que B&S peut refuser d'appliquer la garantie si la défectuosité de votre moteur/équipement ou d'une partie de celui-ci est due à un abus, une négligence, un entretien non correct ou des modifications non approuvées.
- Vous avez la responsabilité de confier votre moteur/équipement à un centre de distribution, un Réparateur Agréé ou toute entité équivalente de B&S, selon la solution applicable, dès que le problème apparaît. Les réparations effectuées sous garantie doivent l'être en un temps raisonnable qui ne doit pas excéder trente (30) jours. Si vous avez des questions concernant vos droits et vos responsabilités au titre de la garantie, contactez B&S au 1-800-444-7774 (aux États-Unis) ou BRIGGSandSTRATTON.COM.

## Dispositions de la garantie du système de contrôle des émissions de Briggs & Stratton

Suivent les dispositions particulières de la couverture de la garantie du système de contrôle des émissions. Elles viennent en complément de la garantie des moteurs B&S pour les moteurs non réglementés qui se trouve dans le manuel de l'opérateur.

### 1. Pièces relatives au contrôle des émissions garanties

La couverture au titre de cette garantie ne s'étend qu'aux pièces énumérées ci-dessous (celles du système de contrôle des émissions) dans la mesure où ces pièces étaient présentes sur le moteur B&S et/ou le circuit d'alimentation prévu par B&S.

- Système de dosage du carburant
  - Système d'enrichissement pour démarrages à froid (starter)
  - Carburateur ou le système d'injection de combustible
  - Sonde d'oxygène
  - Unité de commande électronique
  - Module de pompe à carburant
  - Durit et raccords de carburant, colliers
  - Réservoir de carburant, bouchon et câble d'attache
  - Réservoir à charbon activé
- Système d'admission d'air
  - Filtre à air
  - Collecteur d'admission
  - Conduite de vidange et de mise à l'air
- Système d'allumage
  - Bougie(s)
  - Système d'allumage par volant magnétique
- Système catalytique
  - Convertisseur catalytique
  - Collecteur d'échappement
  - Système d'injection d'air ou soupape d'impulsion
- Pièces diverses utilisées dans les systèmes ci-dessus
  - Soupapes et contacteurs de dépression, de température, de position et de durée
  - Raccords et assemblages

### 2. Durée de la couverture

Pendant une période de cinq (5) ans ou de 175 heures, quelle que soit la première à terme, à compter de la date de l'achat initial, B&S garantit à l'acheteur initial et à chaque acheteur suivant que le moteur est conçu, fabriqué et équipé de manière à être en conformité avec toutes les réglementations applicables, qu'il est exempt de

tout défaut de matière ou de construction susceptible d'entraîner la défaillance d'une pièce garantie et qu'il est matériellement identique en tous points au moteur décrit dans la demande de certification du fabricant. La période de garantie démarre à la date de l'achat initial du moteur.

La garantie sur les pièces liées aux émissions est comme suit:

- Toute pièce garantie dont le remplacement n'est pas prévu dans le cadre de la maintenance obligatoire indiquée dans le manuel de l'opérateur fourni est garantie pendant la période susmentionnée. Si cette pièce se révélait être défectueuse au cours de la période de garantie, elle serait réparée ou remplacée par B&S sans aucun frais pour le propriétaire. La pièce ainsi réparée ou remplacée sera garantie pour la période restante.
  - Toute pièce garantie dont seule une inspection régulière est prévue dans le manuel de l'opérateur fourni est garantie pendant la période susmentionnée. La pièce réparée ou remplacée dans le cadre de la garantie sera garantie pour la période restante.
  - Toute pièce garantie dont le remplacement est prévu dans le cadre de la maintenance obligatoire indiquée dans le manuel de l'opérateur fourni est garantie pendant la période précédant le premier remplacement prévu de cette pièce. Si cette pièce se révélait être défectueuse avant le premier remplacement prévu, elle serait réparée ou remplacée par B&S sans aucun frais pour le propriétaire. La pièce ainsi réparée ou remplacée sera garantie pour la période restante précédant le premier remplacement prévu de ladite pièce.
  - L'utilisation par le propriétaire de pièces ajoutées ou modifiées non exemptées sera un motif de rejet de toute réclamation. Le fabricant ne peut en aucun cas être tenu de garantir les défaillances de pièces garanties dues à l'utilisation de pièces non exemptées ajoutées ou modifiées.
- ### 3. Couverture des conséquences
- La présente couverture s'étend à la défaillance de tout composant du moteur due à la défaillance d'une pièce liée aux émissions garantie.
- ### 4. Réclamations et exclusions de garantie

Les réclamations sous garantie seront présentées selon les dispositions de la police de garantie des moteurs de B&S. La garantie ne couvre pas les défaillances de pièces liées aux émissions qui ne sont pas des pièces B&S d'origine ou les défaillances de pièces qui ont fait l'objet d'abus, de négligence ou d'un mauvais entretien ainsi qu'indiqué dans la police de garantie des moteurs de B&S. B&S n'est pas tenu de couvrir la garantie des défaillances des pièces liées aux émissions dues à l'utilisation de pièces rajoutées ou modifiées.



**THE POWER WITHIN™**

Not for  
Reproduction